



Priming Assisted Centrifugal Pump

Model PAH6A60C-B

Size 10" x 6"



PUMP SPECIFICATIONS

Size: 10" x 6" (254 mm x 152 mm) Flanged.

Casing: Ductile Iron 65-45-12.

Maximum Operating Pressure 231 psi (1593 kPa) *

Enclosed Type, Two Vane Impeller: Ductile Iron 65-45-12.

Handles 3" (76,2 mm) Diameter Spherical Solids.

Suction Head: Gray Iron 30.

Suction Spool: Gray Iron 30.

Impeller Shaft: Alloy Steel 4150M.

Externally Adjustable, Replaceable Wear Ring: Ductile Iron 65-45-12.

Pedestal: Gray Iron 30.

Seal Plate: Gray Iron 30.

Shaft Sleeve: Stainless Steel 303/304.

Priming Chamber: Gray Iron 30 Housing w/Stainless Steel Float and Linkage.

Discharge Check Valve: Ductile Iron Housing with Welded Nickel Seat and Buna-N Flapper.

Radial Bearing: Open Roller.

Thrust Bearing: Open Double Ball.

Bearing Cavity Lubrication: Lithium EP2 Grease.

Gaskets: Red Rubber and Buna-N.

O-Rings: Buna-N.

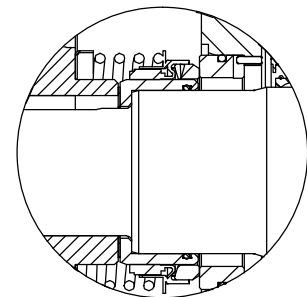
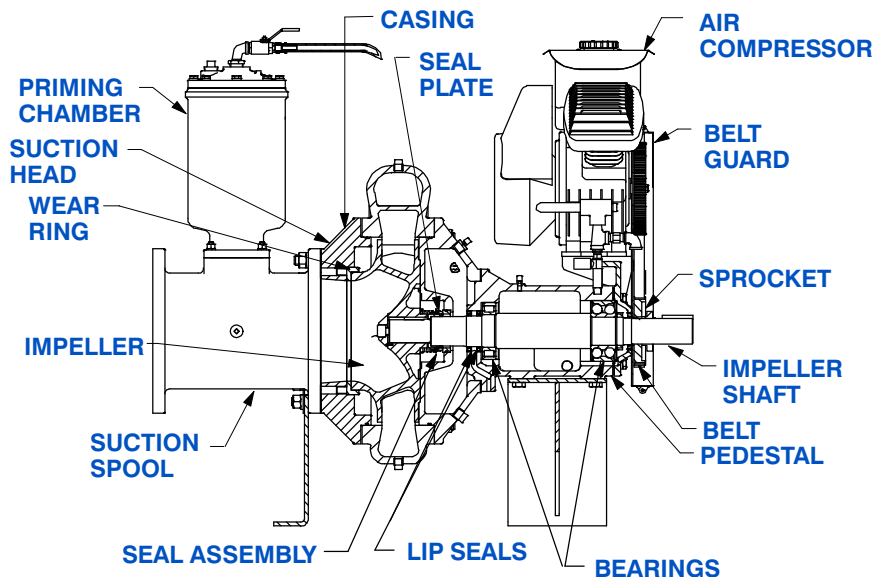
Hardware: Standard Plated Steel.

Seal Cavity Oil Level Sight Gauges.

* Consult Factory for Applications Exceeding Maximum Pressure and/or Temperature Indicated.

Standard Equipment: Belt Driven Air Compressor. Strainer.

Optional Equipment: Base. NPT Threaded Flange Kit. Coupling. TEFC Motor. Suction Vacuum and Discharge Pressure Gauge Kit.



SEAL DETAIL

Mechanical, SAE 30 Non-Detergent Oil Lubricated. Silicon Carbide Rotating Face and Stationary Seat. Fluorocarbon Elastomers (DuPont Viton® or Equivalent). Stainless Steel 316 Cage and Stainless Steel 18-8 Spring. Maximum Temperature of Liquid Pumped 160°F (71°C).*



GORMAN-RUPP PUMPS

www.grpumps.com

Specifications Subject to Change Without Notice

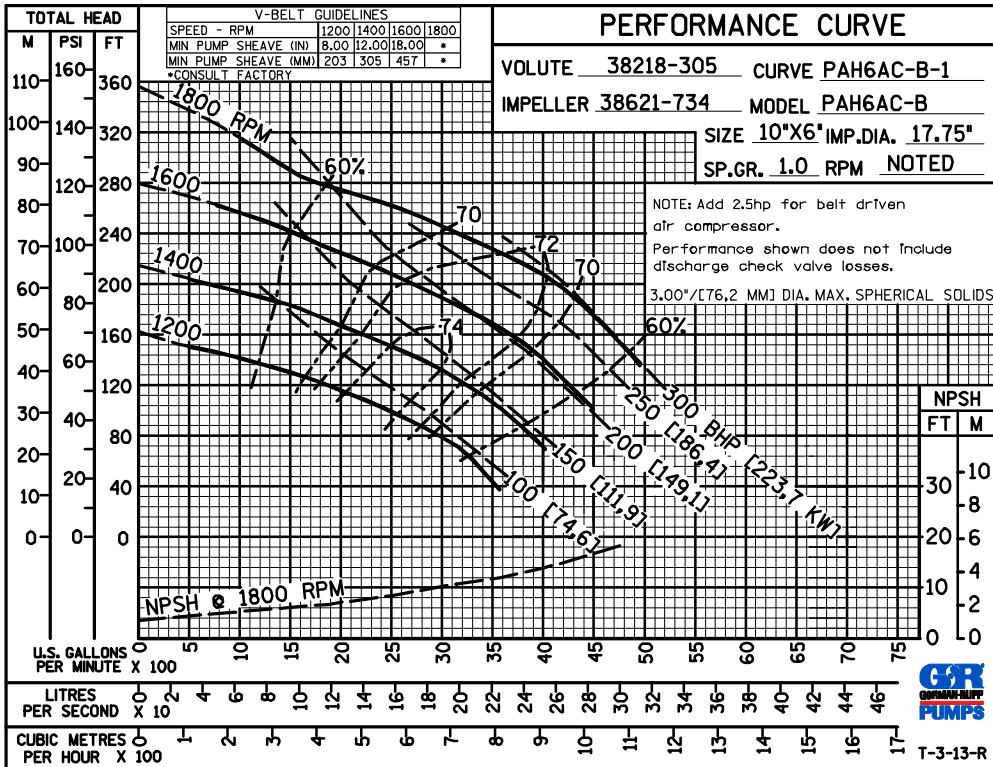
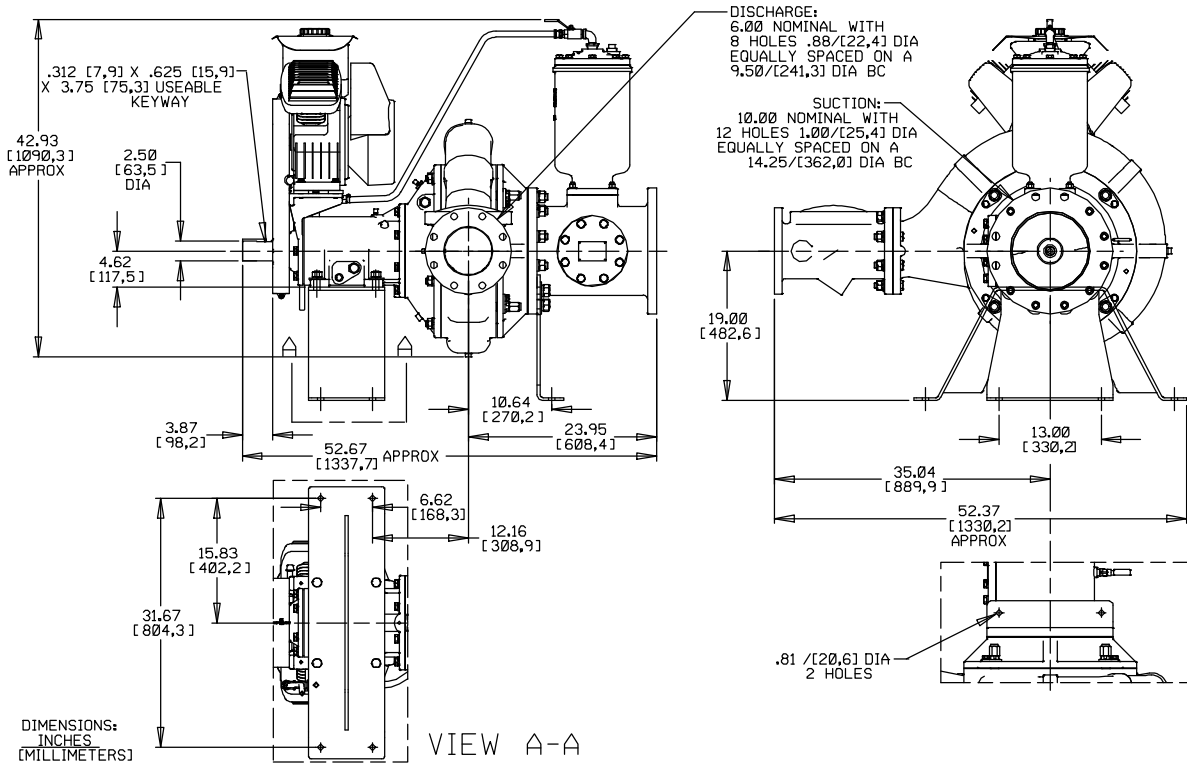
Printed in U.S.A.

Specification Data

SECTION 43, PAGE 320

APPROXIMATE
DIMENSIONS and WEIGHTS

NET WEIGHT: 1400 LBS. (635 KG.)
SHIPPING WEIGHT: 1860 LBS. (843,7 KG.)
EXPORT CRATE SIZE: 153.4 CU. FT. (4,3 CU. M.)



GORMAN-RUPP PUMPS

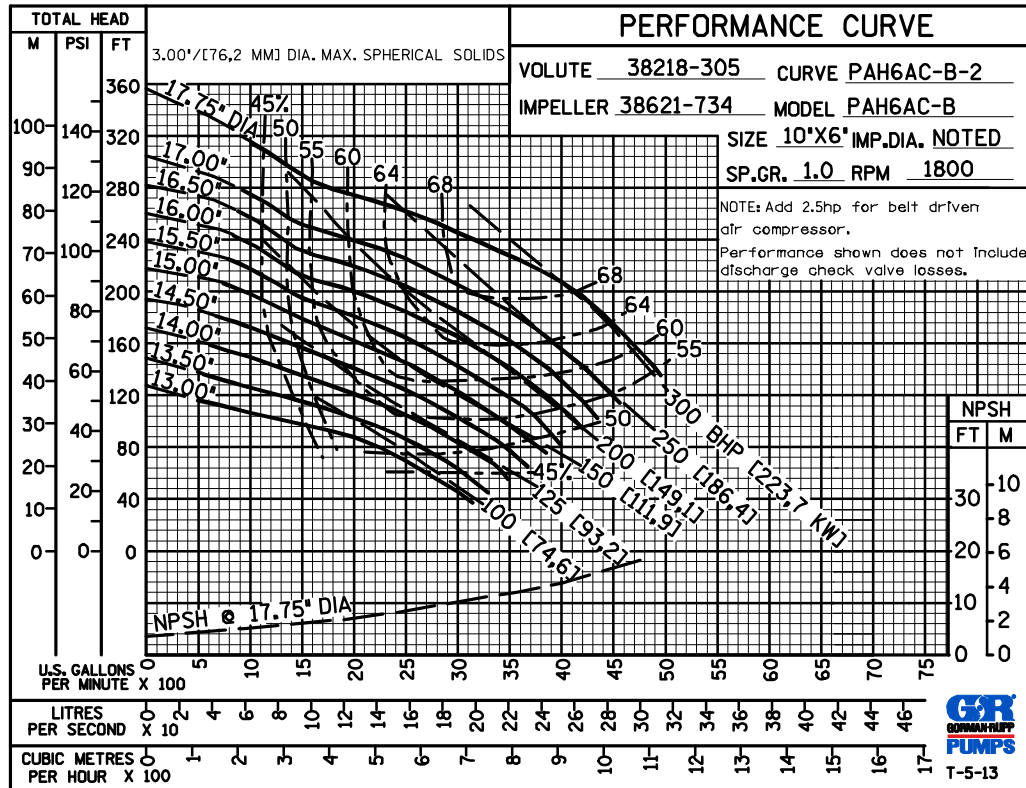
www.grpumps.com

Specifications Subject to Change Without Notice

Printed in U.S.A.

PERFORMANCE
BASED ON
WATER

TRIMMED
IMPELLER



GORMAN-RUPP PUMPS

www.grpumps.com

Specifications Subject to Change Without Notice

Printed in U.S.A.