



# Self Priming Centrifugal Pump w/Autostart

## Model V3A60-QSF2.8P FT4

### Size 4" x 3"



18 MT

Total Head		Capacity of Pump in U.S. Gallons per Minute (GPM) at Continuous Performance			
P.S.I.	Feet				
60.0	136	190	190	190	190
52.0	120	302	405	405	405
43.4	100	313	425	520	619
34.7	80	320	430	530	635
26.0	60	325	438	539	645
17.3	40	328	440	547	655
8.7	20	330	445	548	660
<b>Suction Lift</b>		<b>25'</b>	<b>20'</b>	<b>15'</b>	<b>10'</b>

Photo not available at time of publishing

#### PUMP SPECIFICATIONS

**Size:** 4" (102 mm) NPT Suction x 3" (76 mm) Flanged Discharge.  
**Casing:** Gray Iron 30. Maximum Operating Pressure 101 psi (696 kPa).\*  
**Semi-Open Type, Two Vane Impeller:** Ductile Iron 65-45-12.  
 Handles 2-1/2" (63,5 mm) Diameter Spherical Solids.  
**Impeller Shaft:** Stainless Steel 17-4PH.  
**Self-Cleaning Replaceable Wear Plate:** Carbon Steel 1015.  
**Shimless Adjustable Cover Plate:** Gray Iron 30.  
**Removable Inspection Cover Plate:** Gray Iron 30; 12 lbs. (5,4 kg.).  
**Externally Removable Flap Valve:** Neoprene w/Nylon and Steel Reinforcement.  
**Suction Flange/Flap Valve Seat:** Gray Iron 30.  
**Bearing Housing:** Gray Iron 30.  
**Seal:** Cartridge Type, Mechanical, Oil-Lubricated, Double Floating, Self-Aligning. Silicon Carbide Rotating and Stationary Faces. Stainless Steel 304 Stationary Seat. Fluorocarbon Elastomers (DuPont Viton® or Equivalent). Stainless Steel 18-8 Cage and Spring. Maximum Temperature of Liquid Pumped 160°F (71°C).\*  
**Seal Plate:** Gray Iron 30.  
**Shaft Sleeve:** Stainless Steel 17-4PH.  
**Radial Bearing:** Open Single Row Ball.  
**Thrust Bearing:** Open Double Row Ball.  
**Bearing and Seal Cavity Lubrication:** SAE 30 Non-Detergent Oil.  
**Gaskets:** Buna-N, Compressed Synthetic Fibers, Vegetable Fiber, PTFE, Cork, and Rubber.  
**O-Rings:** Buna-N.  
**Hardware:** Standard Plated Steel.  
**Brass Pressure Relief Valve.**  
**Bearing and Seal Cavity Oil Level Sight Gauges.**  
**Standard Equipment:** Hoisting Bail. Combination Skid Base w/Fuel Tank. Strainer. [Single Ball Type Float Switch](#)\*\*  
**\*\*50 Ft. (15 m) Standard Length; Dual Switches and Alternate Cable Lengths Available From the Factory.**  
**Optional Equipment:** Gray Iron Flange Kits: 3" and 4" Female NPT or ASA Suction/Discharge Flange Kits. 100 mm and 80 mm DIN 2527 (PN 16) Suction/Discharge Spool Flange Kits. Stainless Steel/G-R Hard Iron Impeller, Seal Plate and Wear Plate. Battery. High Speed (55 MPH/89 KM/H) Single Axle Pneumatic-Tired Wheel Kit w/wo DOT-Approved Lights and Electric Brakes. [Tandem Axle Over-the-Road Trailer. Full Feature Control Panel](#) For Use w/Submersible Transducer Liquid Level Sensor (50 Ft. [15 M] Cable Standard, Alternate Lengths Available).  
 \* Consult Factory for Applications Exceeding Maximum Pressure and/or Temperature Indicated.



#### ENGINE SPECIFICATIONS

**Model:** Cummins QSF2.8.  
**EPA Tier:** Final Tier 4.  
**Type:** Four Cylinder, Four Cycle, Turbocharged, Charge Air Cooled, Liquid Cooled Diesel Engine.  
**Displacement:** 173 Cu. In. (2,8 Liters).  
**Lubrication:** Forced Circulation.  
**Air Cleaner:** Dry Type.  
**Fuel Tank:** 61 U.S. Gals. (231 Liters).  
**Full Load Operating Time:** 34.6 Hrs.  
**Starter:** 12V Electric.  
**Standard Features:** Muffler w/Weather Cap.  
**Optional:** Electronic Fuel Level Sensor.  
**Engine Control Features:** Padlockable Box with Throttle Control, Tachometer, Coolant Temperature, Oil Pressure, Voltage and Overstart Indicators/Shut-downs. Manual/Stop/Auto Keyswitch. Audible Startup Warning Delay. Fuel Level Display/Alarm/Shutdown (For Use With Optional Fuel Level Sensor).

**CUMMINS PUBLISHED PERFORMANCE:**  
 Maximum Gross Continuous BHP  
 74 (55 kW) @ 2500 RPM



GORMAN-RUPP PUMPS

www.grpumps.com

Specifications Subject to Change Without Notice

Printed in U.S.A.

**Specification Data**

SECTION 45, PAGE 827

APPROXIMATE DIMENSIONS and WEIGHTS

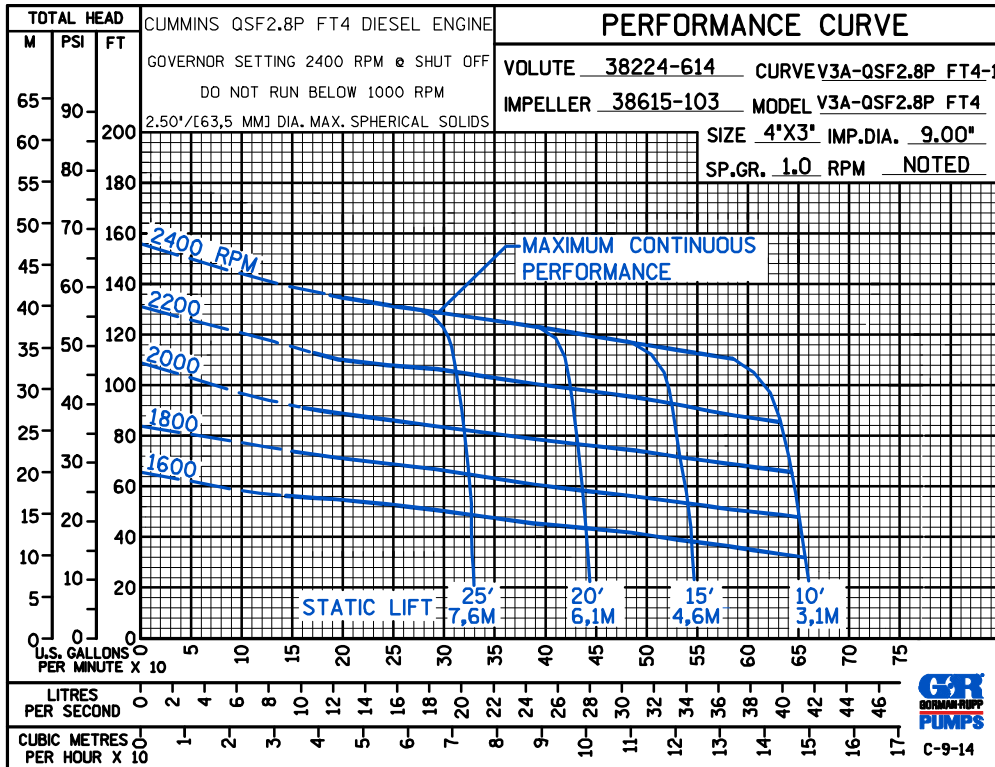
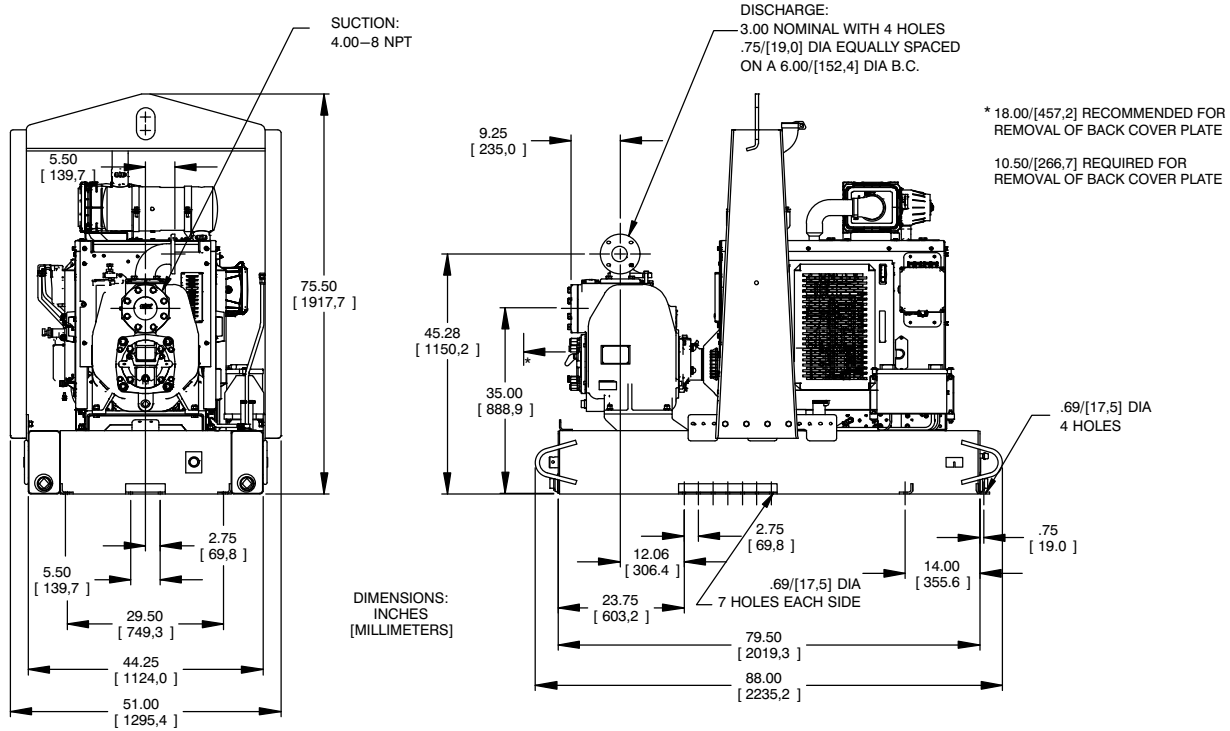
NET WEIGHT:  
SHIPPING WEIGHT:  
EXPORT CRATE SIZE:

SKID BASE

2826 LBS. (1281,9 KG.)  
3026 LBS. (1372,6 KG.)  
252.7 CU. FT. (7,2 CU. M.)

2-WHEEL

3186 LBS. (1445,1 KG.)  
3186 LBS. (1445,1 KG.)



**GORMAN-RUPP PUMPS**

www.grpumps.com

Specifications Subject to Change Without Notice

Printed in U.S.A.