

Self Priming Centrifugal Pump



**Models 81 1/2E3-E1 1P
and 81 1/2E3-E1 3P**



Size 1 1/2" x 1 1/2"

PUMP SPECIFICATIONS

Size: 1 1/2" x 1 1/2" (38 mm x 38 mm) NPT Female.

Casing: Gray Iron 30.

Maximum Operating Pressure 47 psi (324 kPa).*

Semi-Open Type, Five Vane Impeller: Copper Alloy C93700.

Handles 1/4" (6,4 mm) Spherical Solids.

Impeller Shaft: Stainless Steel 416 (Provided with Motor).

Replaceable Vane Plate: Gray Iron 30.

Intermediate Bracket: Gray Iron 30.

Gaskets: Vegetable Fiber.

O-Rings: Buna-N.

Internal Wetted Hardware: Brass and Standard Plated Steel.

External Hardware: Standard Plated Steel.

Strainer:

Carrying Handle (81 1/2E3-E1 1P Only).

8' [2,4 M] Electric Power Cord (81 1/2E3-E1 1P Only).

Optional Equipment: Consult Factory.

**Consult Factory for Applications Exceeding Maximum Pressure and/or Temperature Indicated.*

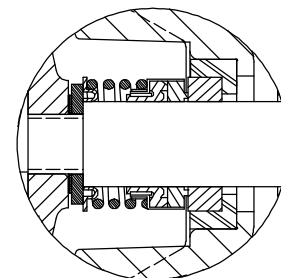
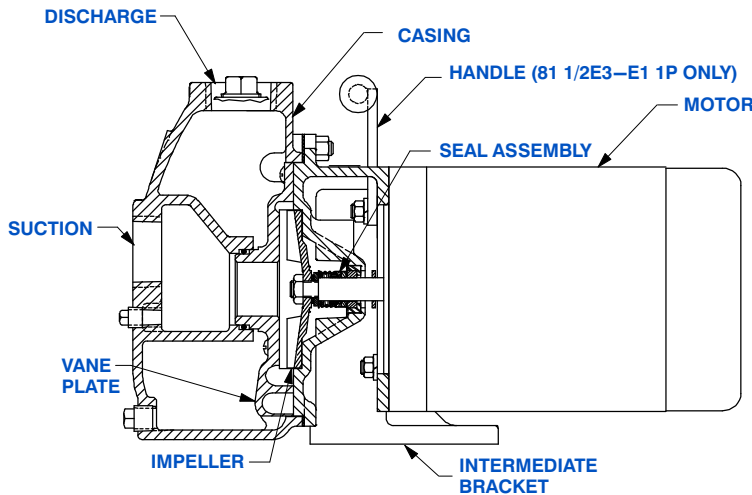


81 1/2E3-E1 3P SHOWN

WARNING!
Do not use in explosive atmosphere or for pumping volatile flammable liquids.

MOTOR SPECIFICATIONS

Type	Description	Voltage	Frame Size	Hertz	Service Factor	Horse Power	RPM
E	Single Phase. Open Drip-Proof. Capacitor Start/Induction Run.	115/230	56	60	1.4	1	3450
E	Three Phase. Open Drip-Proof. Induction Start/Induction Run.	230/460					



SEAL DETAIL: Type 21, Mechanical, Self-Lubricated. Carbon Rotating Face. Ni-Resist Stationary Face. Fluorocarbon Elastomers (DuPont Viton® or Equivalent). Stainless Steel 18-8 Cage and Spring. Maximum Temperature of Liquid Pumped, 160°F (71°C).*



GORMAN-RUPP PUMPS

www.grpumps.com

Specifications Subject to Change Without Notice

Printed in U.S.A.

Specification Data

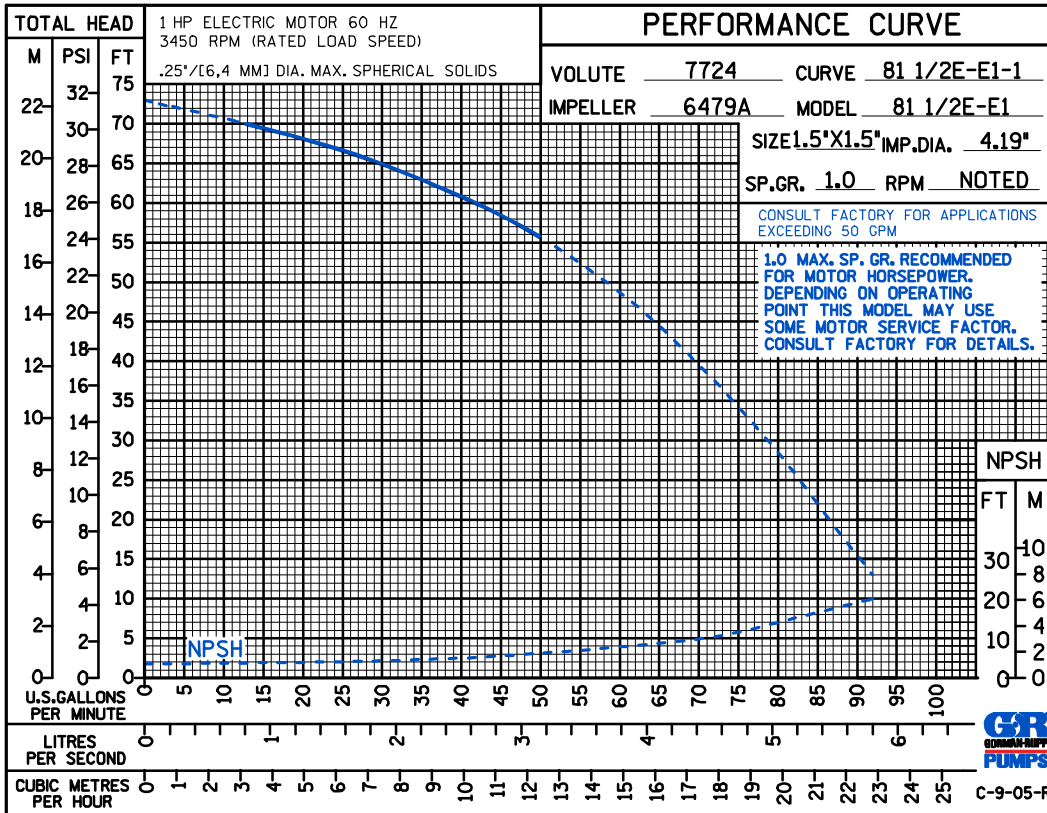
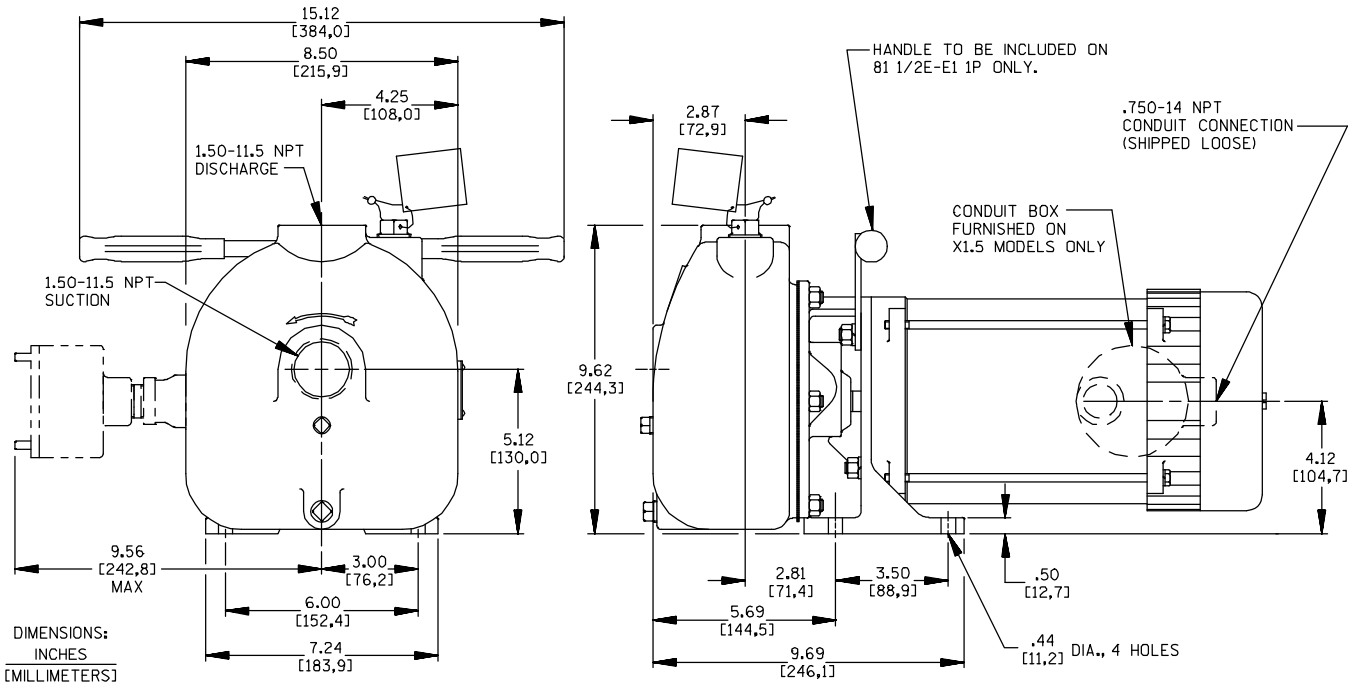
SECTION 50, PAGE 740

APPROXIMATE
DIMENSIONS and WEIGHTS

NET WEIGHT: 57 LBS. (25,9 KG.)

SHIPPING WEIGHT: 65 LBS. (29,5 KG.)

EXPORT CRATE: 3.5 CU. FT. (0,1 CU. M.)



60 HERTZ
Performance
Based on
Water



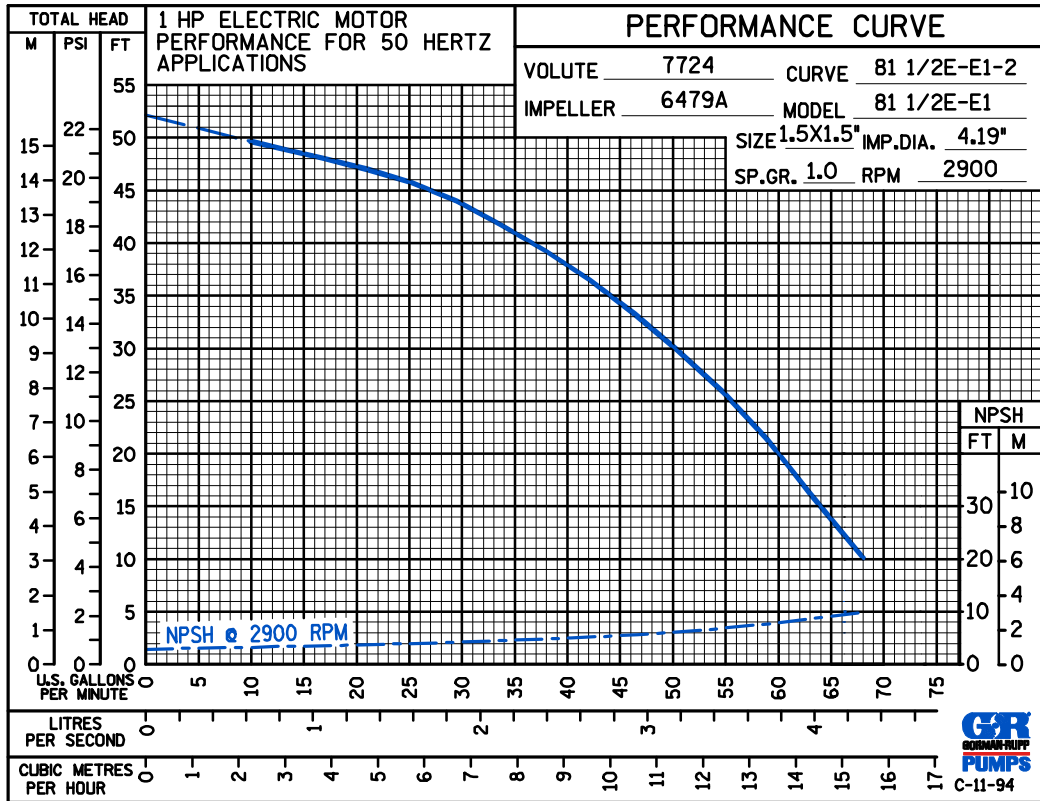
GORMAN-RUPP PUMPS

www.grpumps.com

Specifications Subject to Change Without Notice

Printed in U.S.A.

50 HERTZ
Performance
Based on
Water



GORMAN-RUPP PUMPS

www.grpumps.com

Specifications Subject to Change Without Notice

Printed in U.S.A.