

Basic Pedestal

A B C D E

Self Priming Centrifugal Pump

Models 86B3-B and 86B52-B

Size 6" x 6"

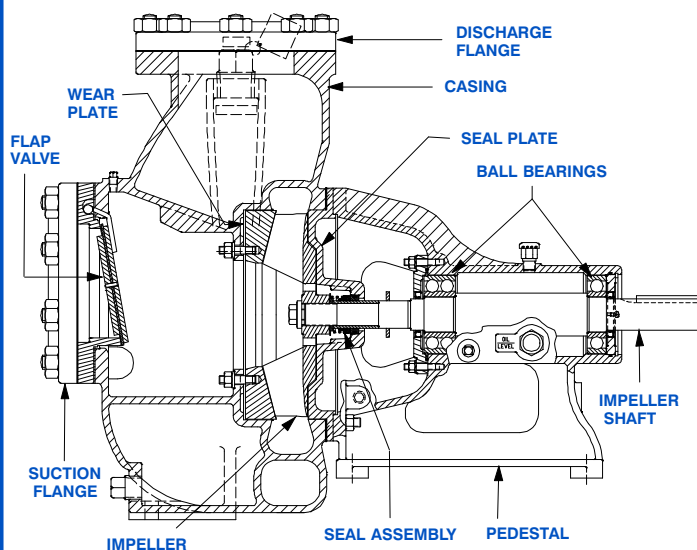


PUMP SPECIFICATIONS

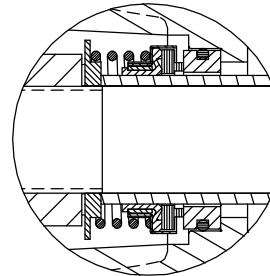
- Size:** 6" x 6" (152 mm x 152 mm) NPT - Female.
Casing: Gray Iron 30.
 Maximum Operating Pressure 78 psi (538 kPa)*.
Semi-Open Type, Four Vane Impeller: Gray Iron 30.
 Handles 1 3/4" (44,5 mm) Diameter Spherical Solids.
Impeller Shaft: Alloy Steel 4150.
Replaceable Wear Plate: Gray Iron 30.
Pedestal: Gray Iron 30.
Seal Plate: Gray Iron 30.
Shaft Sleeve: Alloy Steel 4130.
Flap Valve: Buna-N and Steel.
Radial Bearings: Open Single Row Ball.
Thrust Bearings: Open Double Row Ball.
Bearing Lubrication: SAE 30 Non-Detergent Oil.
Flanges: Gray Iron 30.
Gaskets: Cork.
O-Rings: Buna-N
Hardware: Standard Plated Steel and Stainless Steel.
Oil Level Sight Gauge.
Optional Equipment: 120/240 Volt Casing Heater. Strainer.
 Consult Factory for Additional Options.



**Consult Factory for Applications Exceeding Maximum Pressure and/or Temperature Indicated.*

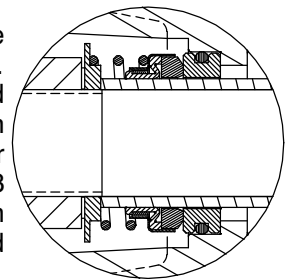


86B52-B SHOWN



86B3-B SEAL DETAIL Type 21, Mechanical, Self-Lubricated. Carbon Rotating Face. Ni-Resist Stationary Face. Fluorocarbon Elastomers (DuPont Viton® or Equivalent). Stainless Steel 18-8 Cage and Spring. Maximum Temperature of Liquid Pumped 160°F (71 °C).*

86B52-B SEAL DETAIL Type 31, Mechanical, Self-Lubricated. Silicon Carbide Rotating and Stationary Faces. Fluorocarbon Elastomers (DuPont Viton® or Equivalent). Stainless Steel 18-8 Cage and Spring. Maximum Temperature of Liquid Pumped 160°F (71 °C).*



THE GORMAN-RUPP COMPANY • MANSFIELD, OHIO

GORMAN-RUPP OF CANADA LIMITED • ST. THOMAS, ONTARIO, CANADA

www.grpumps.com

Specifications Subject to Change Without Notice

Printed in U.S.A.

Specification Data

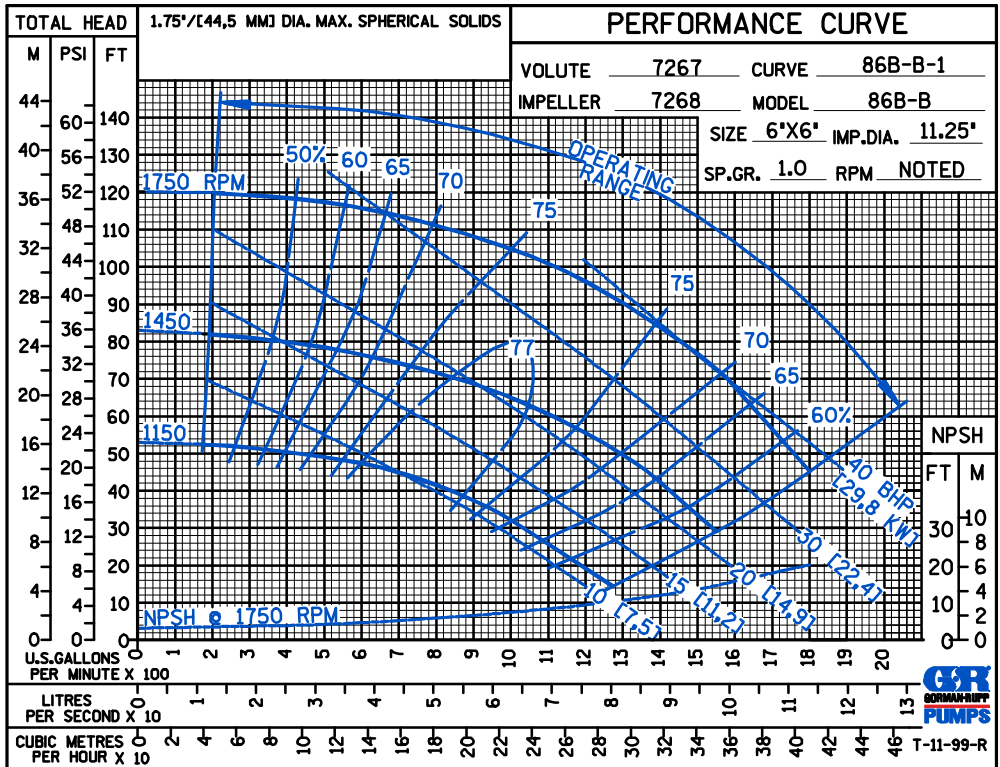
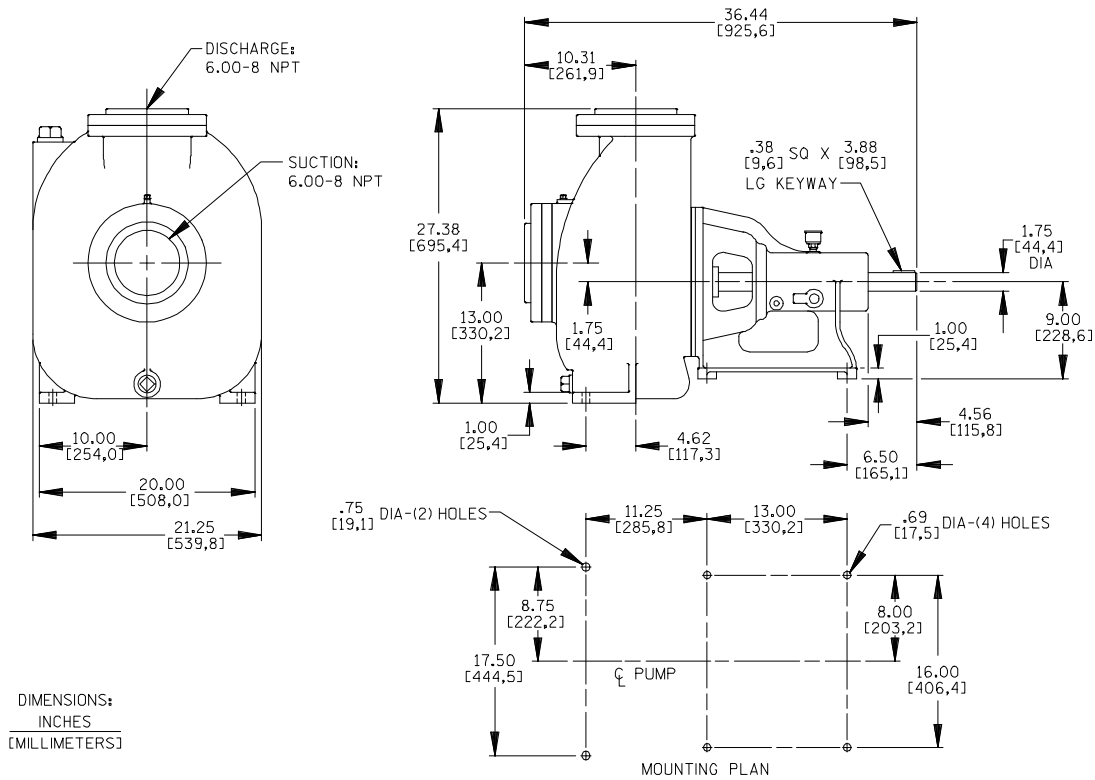
SECTION 50, PAGE 2051

APPROXIMATE
DIMENSIONS and WEIGHTS

NET WEIGHT: 630 LBS. (285,8 KGS.)

SHIPPING WEIGHT: 680 LBS. (308,4 KGS.)

EXPORT CRATE: 24.5 CU. FT. (0,69 CU. M.)



THE GORMAN-RUPP COMPANY • MANSFIELD, OHIO

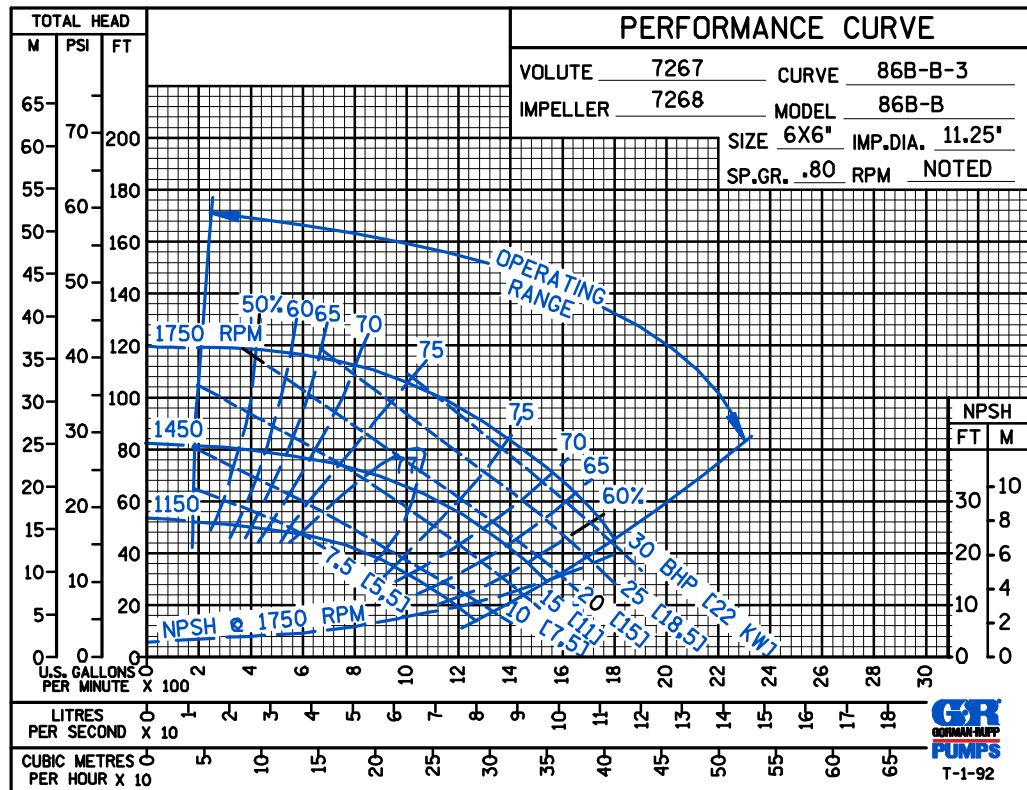
GORMAN-RUPP OF CANADA LIMITED • ST. THOMAS, ONTARIO, CANADA

Specifications Subject to Change Without Notice

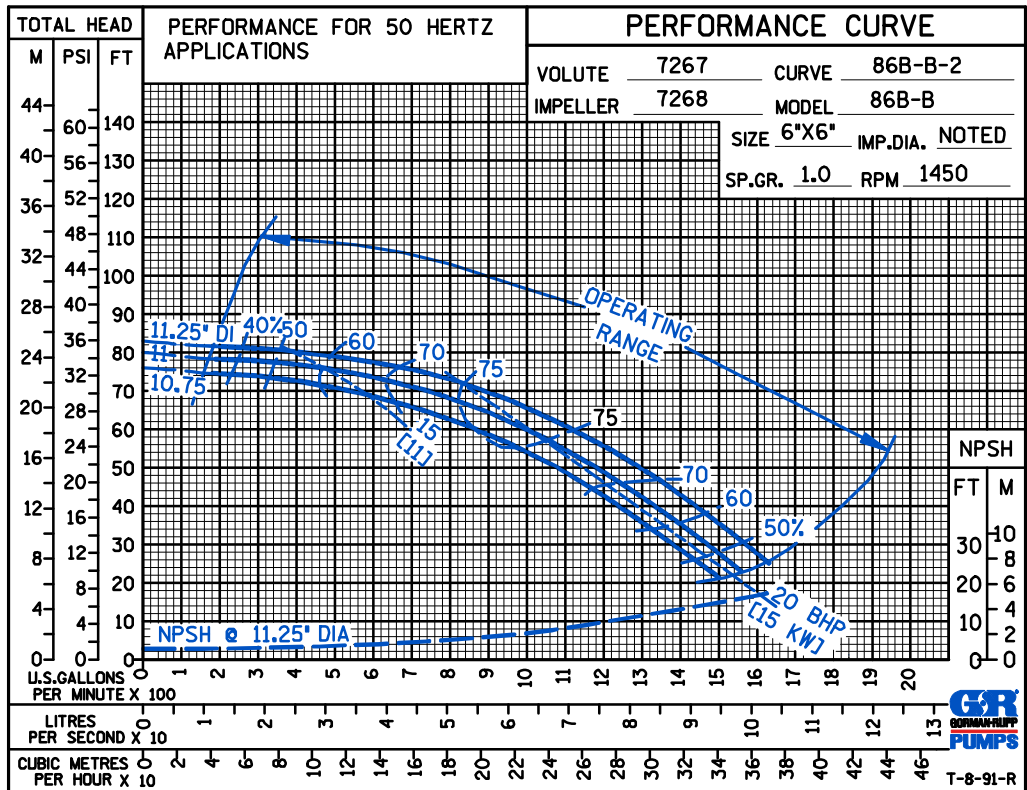
Printed in U.S.A.

A B C D E

PERFORMANCE
BASED ON
PETROLEUM



50 HERTZ
PERFORMANCE
BASED ON
WATER



THE GORMAN-RUPP COMPANY • MANSFIELD, OHIO

GORMAN-RUPP OF CANADA LIMITED • ST. THOMAS, ONTARIO, CANADA

Specifications Subject to Change Without Notice

Printed in U.S.A.