



Self Priming Centrifugal Pump

Model 112G60-B

Size 12" x 12"

PUMP SPECIFICATIONS

Size: 12" x 12" (305 mm x 305 mm) Flanged.

Casing: Gray Iron 30.

Maximum Operating Pressure 94 psi (648 kPa).*

Semi-Open Type, Four Vane Impeller: Ductile Iron 80-60-03.

Handles 2 3/4" (69,9 mm) Diameter Spherical Solids.

Impeller Shaft: Alloy Steel 4150.

Replaceable Wear Plate: Ductile Iron 80-60-03.

Removable Clean-Out Cover Plate: Gray Iron 30; 16 lbs. (7,3 kg).

Bearing Housing: Gray Iron 30.

Suction Elbow: Gray Iron 30.

Pedestal Foot: Gray Iron 30.

Seal Plate: Gray Iron 30.

Shaft Sleeve: Stainless Steel 304.

Flap Valve: Buna-N w/Steel Reinforcement.

Flap Valve Body: Gray Iron 30.

Radial Bearing: Open Single Row Ball.

Thrust Bearings: Two, Open Single Row Ball.

Bearing and Seal Cavity Lubrication: SAE 30 Non-Detergent Oil.

Gaskets: Vegetable Fiber and Cork w/Buna-N Binder.

O-Rings: Buna-N.

Hardware: Standard Plated Steel.

Brass Pressure Relief Valve.

Bearing Cavity Oil Level Sight Gauge and Seal Bottle Oiler.

Strainer.

Standard Equipment: Victaulic® Suction Clamp.

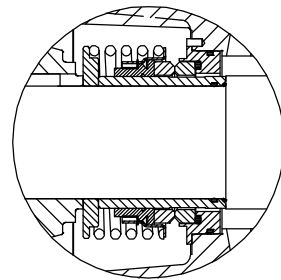
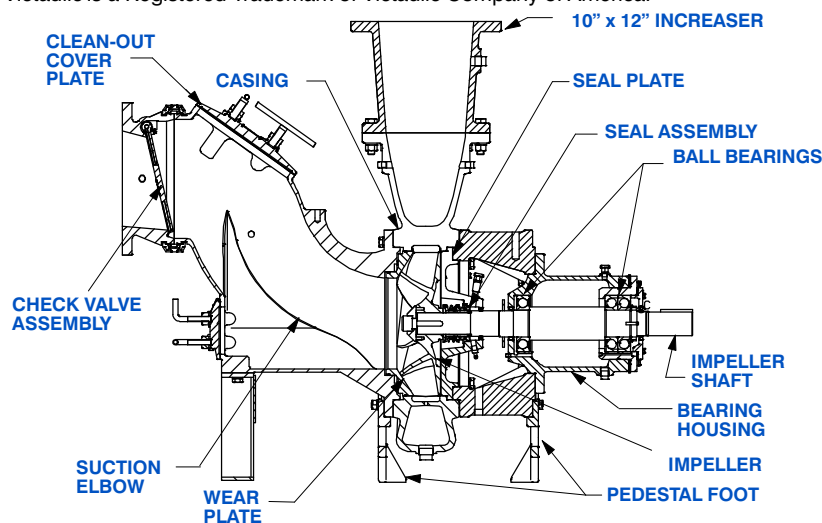
10" x 12" (254 mm x 305 mm) Discharge Inserter.

Optional Equipment: High Pump Temperature Shutdown Kit.

120V/240V Casing Heater. CD4MCu Stainless Steel and G-R Hard Iron Impeller and Wear Plate. Sewage Relief Valve. Permalon Seal.

**Consult Factory for Applications Exceeding Maximum Pressure and/or Temperature Indicated.*

Victaulic is a Registered Trademark of Victaulic Company of America.



SEAL DETAIL

Type 2, Mechanical, Oil-Lubricated, Double, Floating, Self-Aligning. Silicon Carbide Rotating and Stationary Faces. Stainless Steel 316 Stationary Seat. Fluorocarbon Elastomers (DuPont Viton® or Equivalent). Stainless Steel 18-8 Cage and Spring. Maximum Temperature Pumped is 160°F (71°C).*



GORMAN-RUPP PUMPS

www.grpumps.com

Specifications Subject to Change Without Notice

Printed in U.S.A.

Specification Data

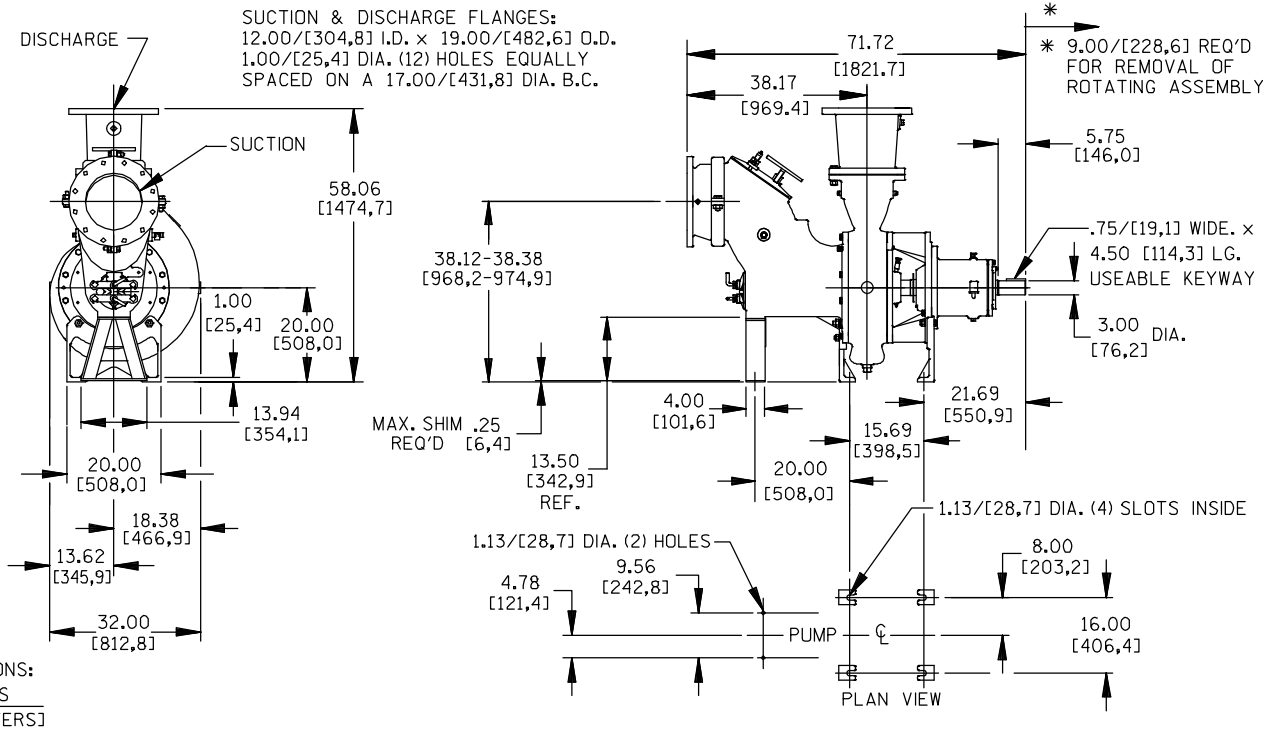
SECTION 50, PAGE 2580

APPROXIMATE DIMENSIONS and WEIGHTS

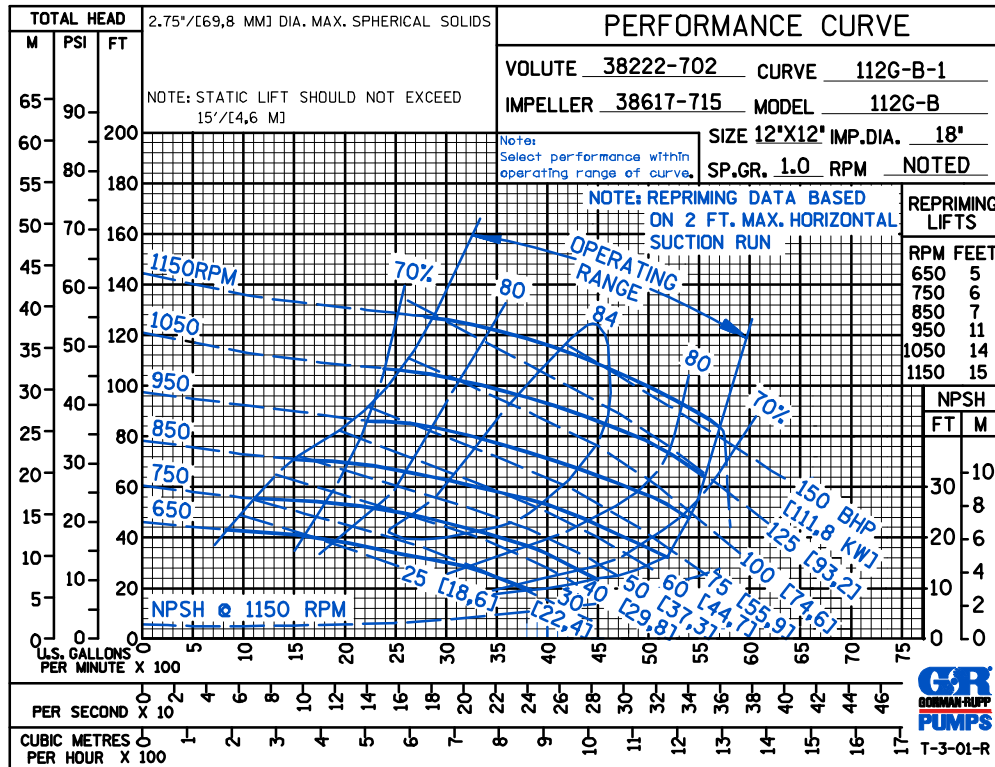
NET WEIGHT: 2200 LBS. (998 KG.)

SHIPPING WEIGHT: 2350 LBS. (1066 KG.)

EXPORT CRATE SIZE: 109 CU. FT. (3,1 CU. M.)



MULTI-SPEED CURVE PERFORMANCE BASED ON WATER



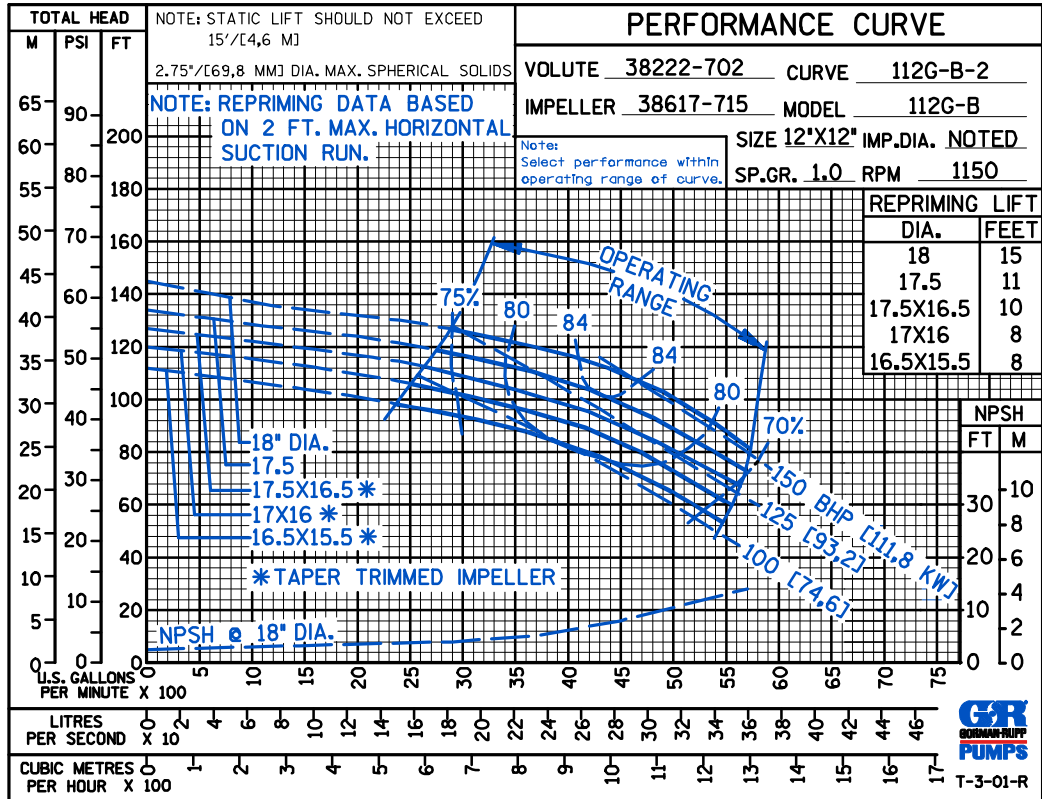
GORMAN-RUPP PUMPS

www.grpumps.com

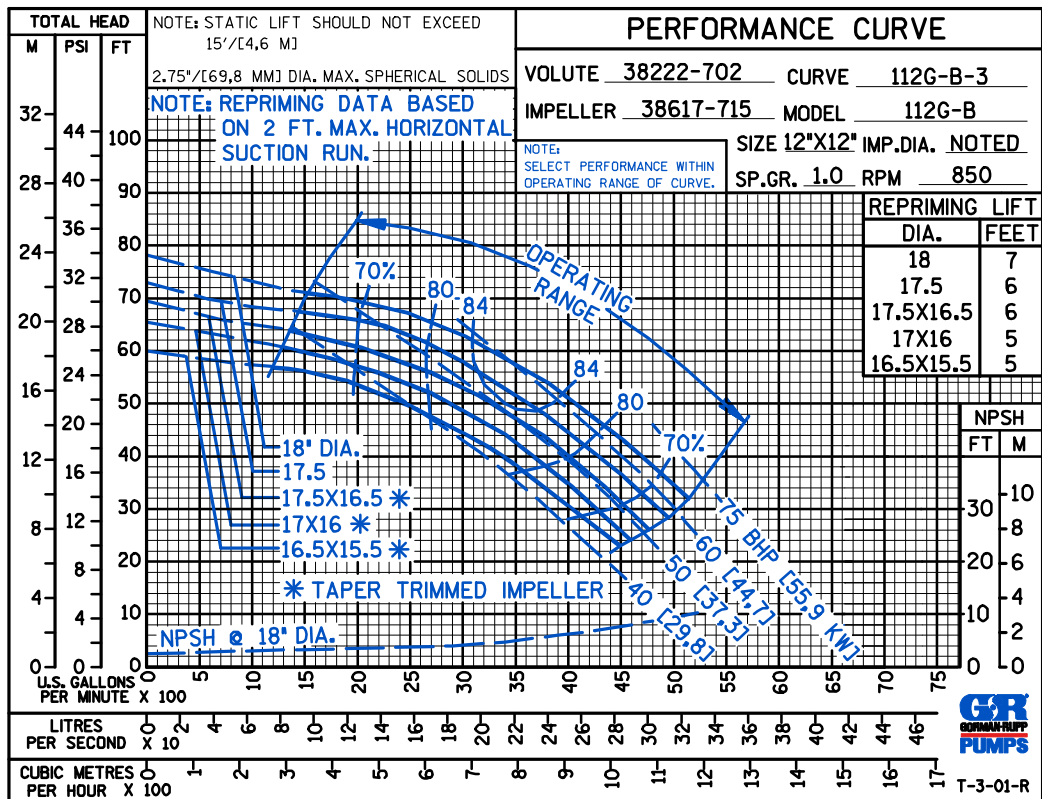
Specifications Subject to Change Without Notice

Printed in U.S.A.

60 HERTZ
PERFORMANCE
BASED ON
WATER
TRIMMED
IMPELLER



60 HERTZ
PERFORMANCE
BASED ON
WATER
TRIMMED
IMPELLER



GORMAN-RUPP PUMPS

www.grpumps.com

Specifications Subject to Change Without Notice

Printed in U.S.A.