



# Self Priming Centrifugal Pump

## Models 14A9-B and 14A22-B

### Size 4" x 4"

#### PUMP SPECIFICATIONS

**Size:** 4" x 4" (102 mm x 102 mm) NPT - Female.

**Casing:** Stainless Steel 316.

Maximum Operating Pressure 81 psi (558 kPa).\*

**Semi-Open Type, Two Vane Impeller:** Stainless Steel 316.

Handles 1 13/16" (46 mm) Diameter Spherical Solids.

**Impeller Shaft:** Stainless Steel 17-4PH.

**Shaft Sleeve:** Stainless Steel 17-4PH.

**Replaceable Wear Plate:** Stainless Steel 316.

**Removable Cover Plate:** Stainless Steel 316; 22 lbs. (10 kg).

**Pedestal:** Gray Iron 30.

**Seal Plate:** Stainless Steel 316.

**Flap Valve:** Fluorocarbon Elastomers (DuPont Viton® or Equivalent) and Stainless Steel 316.

**Radial Bearing:** Open Single Row Ball.

**Thrust Bearing:** Open Double Row Ball.

**Bearing Lubrication:** SAE 30 Non-Detergent Oil.

**Flanges:** Stainless Steel 316.

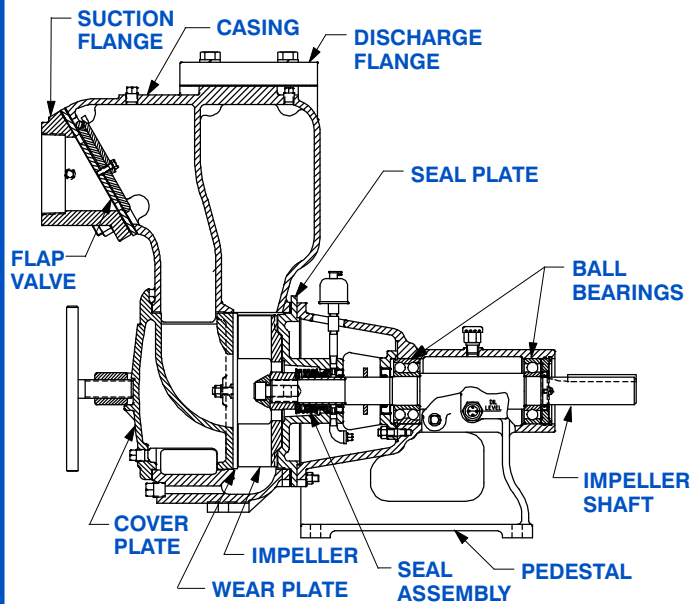
**Gaskets:** PTFE and Fluorocarbon (DuPont Teflon® and Viton® or Equivalents).

**Internal Wetted Hardware:** Stainless Steel 316.

**External Hardware:** Standard Plated Steel; Stainless Steel 316.

**Optional Equipment:** Consult Factory.

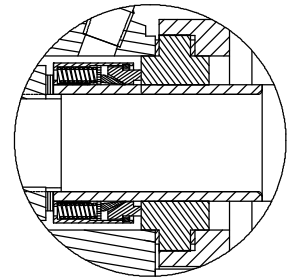
*\*Consult Factory for Applications Exceeding Maximum Pressure and/or Temperature Indicated.*



14A22-B SHOWN

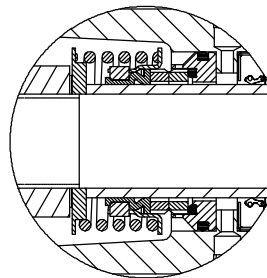
#### 14A9-B SEAL DETAIL

Type 9, Mechanical, Self-Lubricated. Tungsten Carbide Rotating and Stationary Faces. Stainless Steel 316 Cage and Spring. PTFE Elastomers (Du-Pont Teflon® or Equivalents). Maximum Temperature of Liquid Pumped, 160°F (71°C).\*



#### 14A22-B SEAL DETAIL

Mechanical, Oil-Lubricated, Double Floating, Self-Aligning. Tungsten Titanium Carbide Rotating and Stationary Faces. Stainless Steel 316 Stationary Seat. Fluorocarbon Elastomers (DuPont Viton® or Equivalent). Stainless Steel 18-8 Cage and Spring. Maximum Temperature of Liquid Pumped, 160°F (71°C).\*



THE GORMAN-RUPP COMPANY • MANSFIELD, OHIO

GORMAN-RUPP OF CANADA LIMITED • ST. THOMAS, ONTARIO, CANADA

www.grpumps.com

Specifications Subject to Change Without Notice

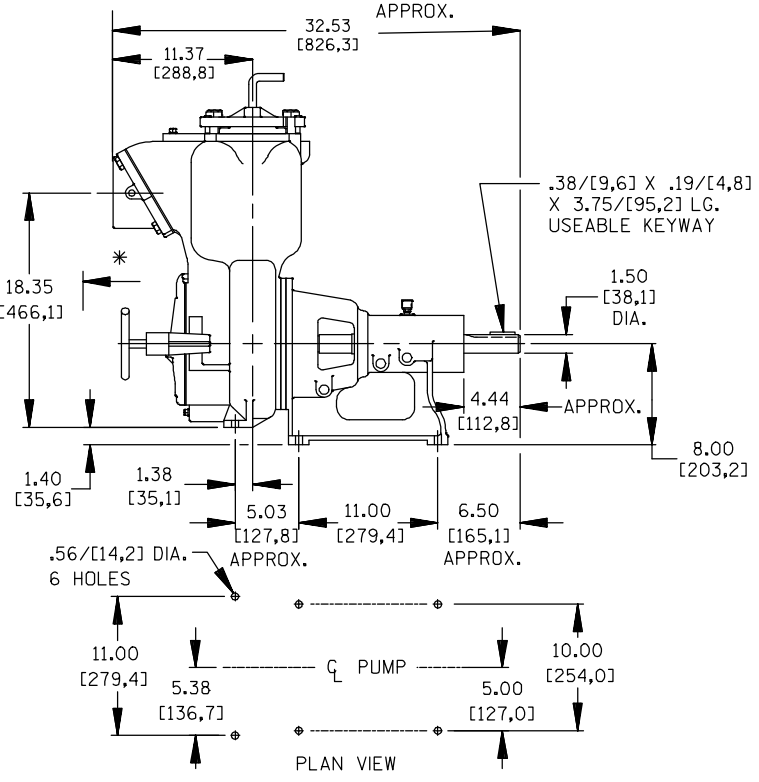
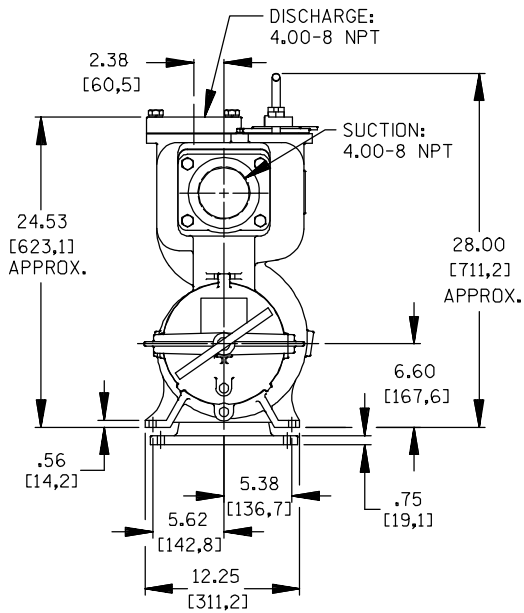
Printed in U.S.A.

**Specification Data**

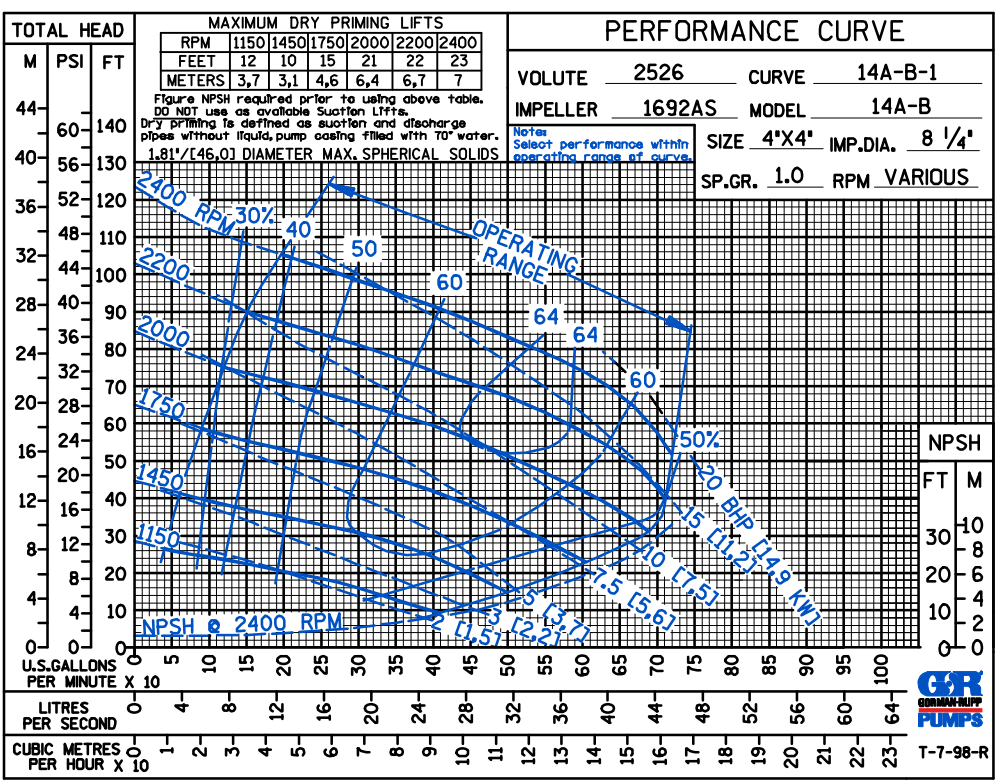
SECTION 55, PAGE 604

APPROXIMATE DIMENSIONS and WEIGHTS

NET WEIGHT: 313 LBS. (142 KG.)  
 SHIPPING WEIGHT: 328 LBS. (149 KG.)  
 EXPORT CRATE SIZE: 18 CU. FT. (0,51 CU. M.)



DIMENSIONS: INCHES [MILLIMETERS]  
 \* 18.00/[457,2] RECOMMENDED FOR REMOVAL OF BACK COVER PLATE  
 6.00/[152,4] REQUIRED FOR REMOVAL OF BACK COVER PLATE



THE GORMAN-RUPP COMPANY • MANSFIELD, OHIO

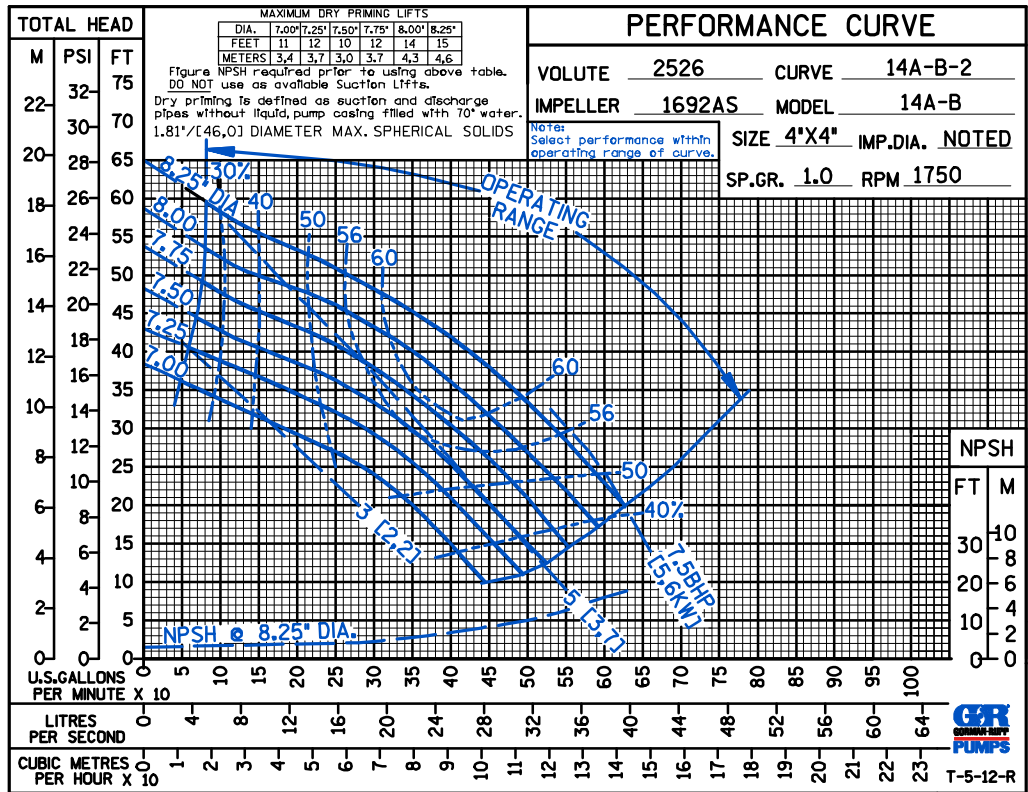
GORMAN-RUPP OF CANADA LIMITED • ST. THOMAS, ONTARIO, CANADA

Specifications Subject to Change Without Notice

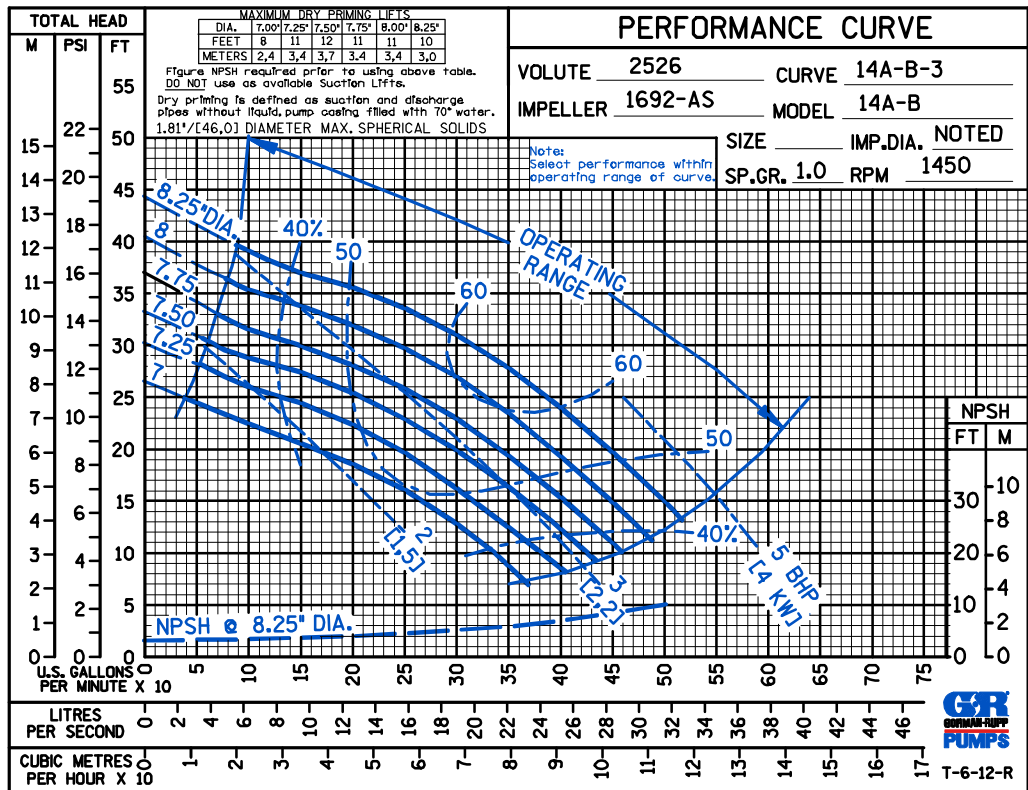
Printed in U.S.A.

ACDE

PERFORMANCE  
BASED ON  
WATER



50 HERTZ  
PERFORMANCE  
BASED ON  
WATER



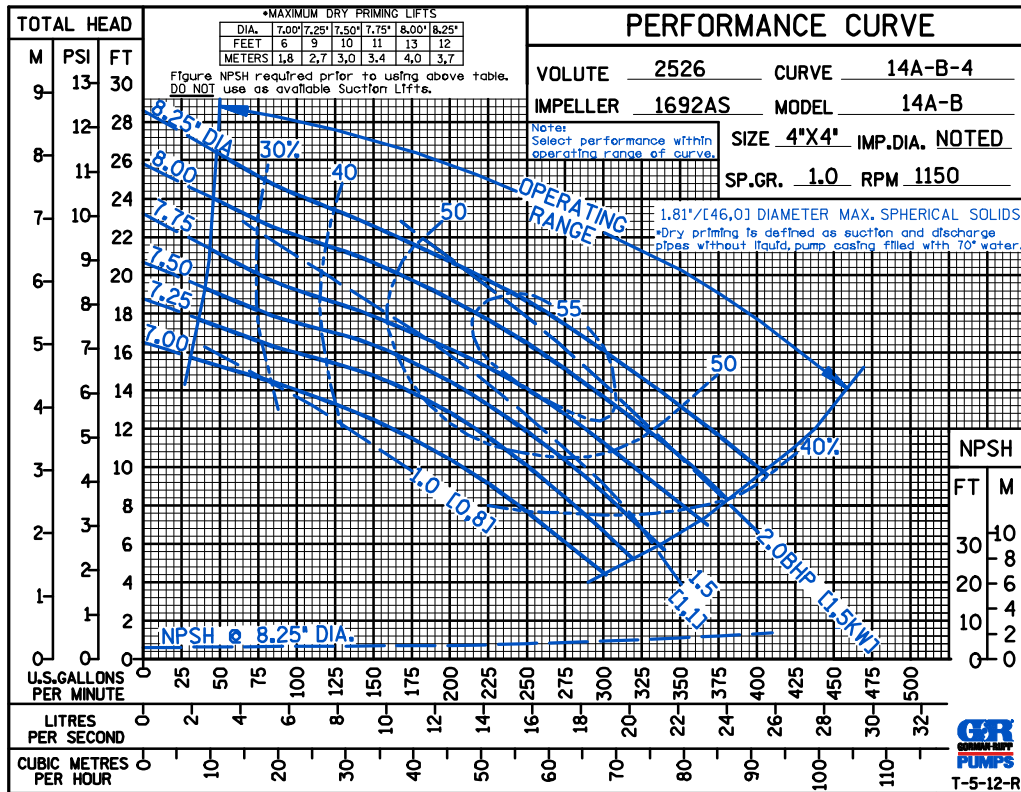
THE GORMAN-RUPP COMPANY • MANSFIELD, OHIO

GORMAN-RUPP OF CANADA LIMITED • ST. THOMAS, ONTARIO, CANADA

Specifications Subject to Change Without Notice

Printed in U.S.A.

ACDE



THE GORMAN-RUPP COMPANY • MANSFIELD, OHIO

GORMAN-RUPP OF CANADA LIMITED • ST. THOMAS, ONTARIO, CANADA

Specifications Subject to Change Without Notice

Printed in U.S.A.