

A C D E



Self Priming Centrifugal Pump

Models 14C2-B and 14C20-B

Size 4" x 4"

PUMP SPECIFICATIONS

Size: 4" x 4" (102 mm x 102 mm) NPT - Female.

Casing: Gray Iron 30.

Maximum Operating Pressure 63 psi (434 kPa).*

Semi-Open Type, Two Vane Impeller: Ductile Iron 65-45-12.

Handles 3" (76,2 mm) Diameter Spherical Solids.

Impeller Shaft: Carbon Steel 1045/1046.

Seal Liner: (14C2-B) Copper Alloy C26000.

Shaft Sleeve: (14C20-B) Alloy Steel 4130.

Replaceable Wear Plate: Carbon Steel 1026.

Removable Cover Plate: Gray Iron 30; 22 lbs. (10 kg).

Pedestal: Gray Iron 30.

Seal Plate: Gray Iron 30.

Flap Valve: Neoprene w/Carbon Steel Reinforcing.

Radial Bearing: Open Single Row Ball.

Thrust Bearing: Open Double Row Ball.

Bearing Lubrication: SAE 30 Non-Detergent Oil.

Flanges: Gray Iron 30.

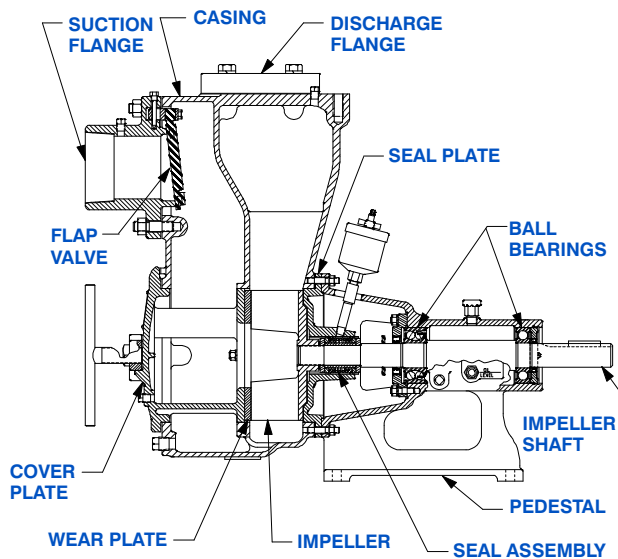
Gaskets: Vegetable Fiber, Buna-N w/Compressed Synthetic Fibers, Rubber, and PTFE (DuPont Teflon® or Equivalent).

Hardware: Standard Plated Steel.

Strainer.

Optional Equipment: Consult Factory.

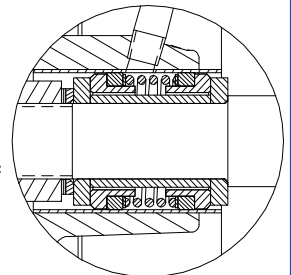
**Consult Factory for Applications Exceeding Maximum Pressure and/or Temperature Indicated.*



14C2-B SHOWN

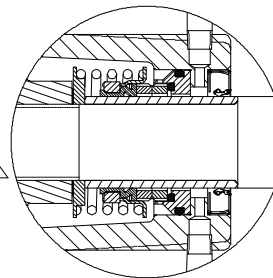
14C2-B SEAL DETAIL

Double, Grease-Lubricated with Spring Loaded Grease Cup. Sintered Bronze Stationary Seal Seats. Steel Rotating Faces. Neoprene Packing Rings Maximum Temperature of Liquid Pumped, 110°F (43°C). Maximum Suction Pressure 10 PSI (69 kPa).*



14C20-B SEAL DETAIL

Mechanical, Oil-Lubricated, Double Floating, Self-Aligning. Tungsten Titanium Carbide Rotating and Stationary Faces. Stainless Steel 316 Stationary Seat. Fluorocarbon Elastomers (DuPont Viton® or Equivalent). Stainless Steel 18-8 Cage and Spring. Maximum Temperature of Liquid Pumped, 160°F (71°C).*



THE GORMAN-RUPP COMPANY • MANSFIELD, OHIO

GORMAN-RUPP OF CANADA LIMITED • ST. THOMAS, ONTARIO, CANADA

www.grpumps.com

Specifications Subject to Change Without Notice

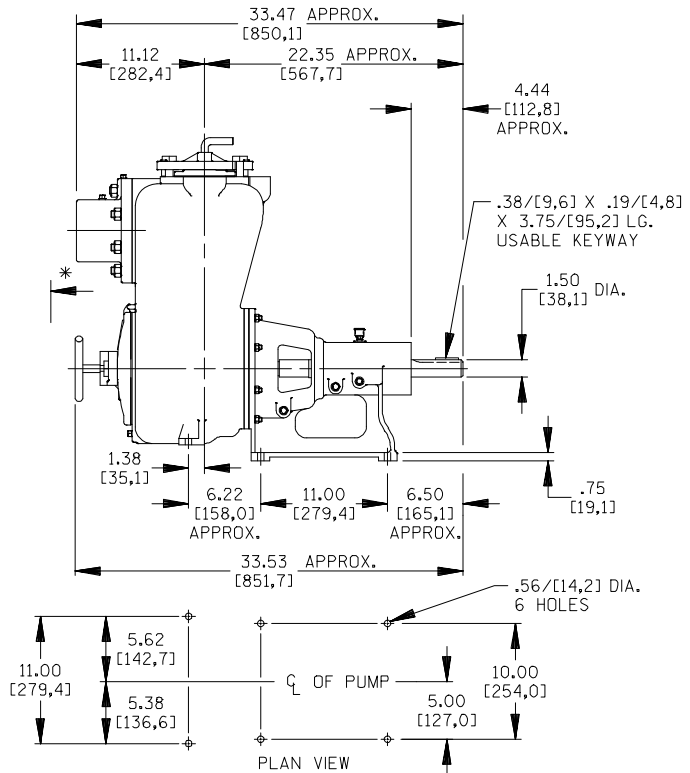
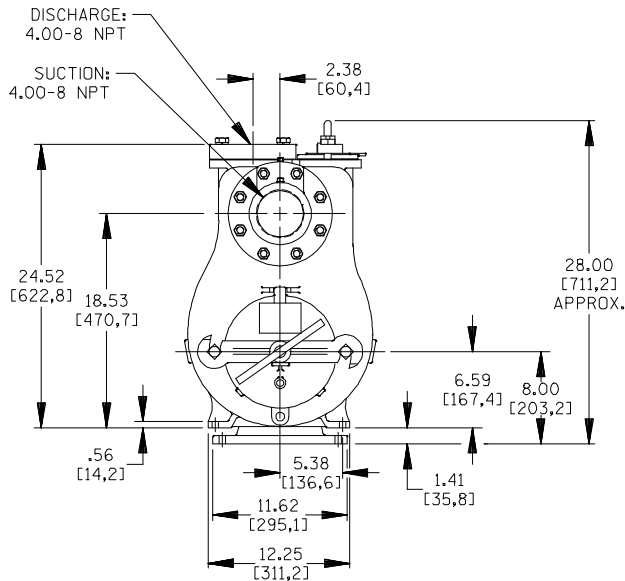
Printed in U.S.A.

Specification Data

SECTION 55, PAGE 700

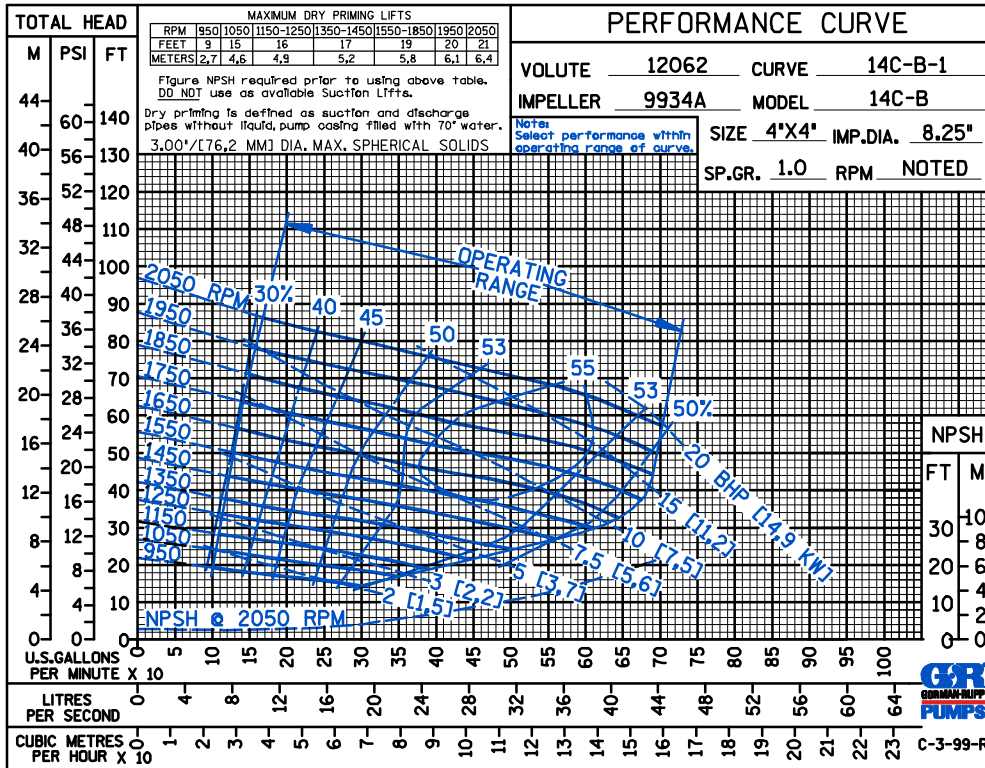
APPROXIMATE
DIMENSIONS and WEIGHTS

NET WEIGHT: 373 LBS. (169 KG.)
SHIPPING WEIGHT: 389 LBS. (176 KG.)
EXPORT CRATE SIZE: 18 CU. FT. (0,5 CU. M.)



DIMENSIONS:
INCHES
[MILLIMETERS]

* 18.00/[457,2] RECOMMENDED FOR
REMOVAL OF BACK COVER PLATE
9.50/[241,3] REQUIRED FOR
REMOVAL OF BACK COVER PLATE



THE GORMAN-RUPP COMPANY • MANSFIELD, OHIO

GORMAN-RUPP OF CANADA LIMITED • ST. THOMAS, ONTARIO, CANADA

Specifications Subject to Change Without Notice

Printed in U.S.A.