

Basic Pedestal Standard Centrifugal Pump



Model VGH3B31-B Size 5" x 3"

PUMP SPECIFICATIONS

Size: 5" x 3" (127 mm x 76 mm) Raised Face Flanges.

Casing: Ductile Iron.

Maximum Operating Pressure 176 psi (1214 kPa).*

Enclosed Type, Six Vane Impeller: Gray Iron 40.

Handles 35/64" (14 mm) Diameter Spherical Solids.

Impeller Shaft: Steel 1045.

Two Replaceable Wear Rings: Gray Iron 25.

Seal Plate: Ductile Iron.

Bypass Flush Piping.

Bearing Housing: Gray Iron 25.

Radial Bearing: Open Cylindrical Roller.

Thrust Bearing: Open Double Row Ball.

Bearing Lubrication: SAE 30 Non-Detergent Oil.

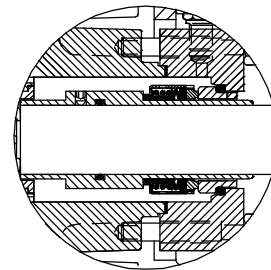
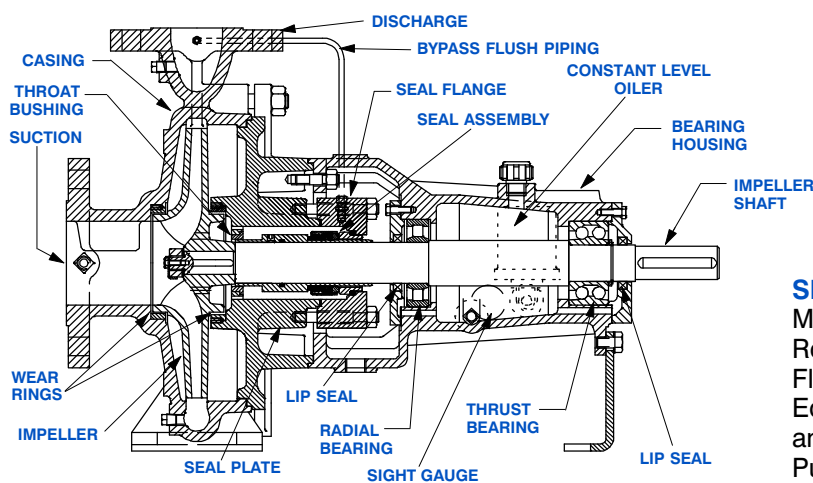
Gaskets: Nitrile Rubber.

Hardware: Standard Plated Steel.

Bearing Housing Level Oiler.

Optional Equipment: Strainer. NPT Suction and Discharge Flanges. Consult Factory for Optional Seals.

**Consult Factory for Applications Exceeding Maximum Pressure and/or Temperature Indicated.*



SEAL DETAIL

Mechanical, Self-Lubricated. Silicon Carbide Rotating and Stationary Faces. Fluorocarbon Elastomers (DuPont Viton® or Equivalent). Stainless Steel 316 Shaft Sleeve and Spring. Maximum Temperature of Liquid Pumped, 160°F (71°C).*



GORMAN-RUPP PUMPS

www.grpumps.com

Specifications Subject to Change Without Notice

Printed in U.S.A.

Specification Data

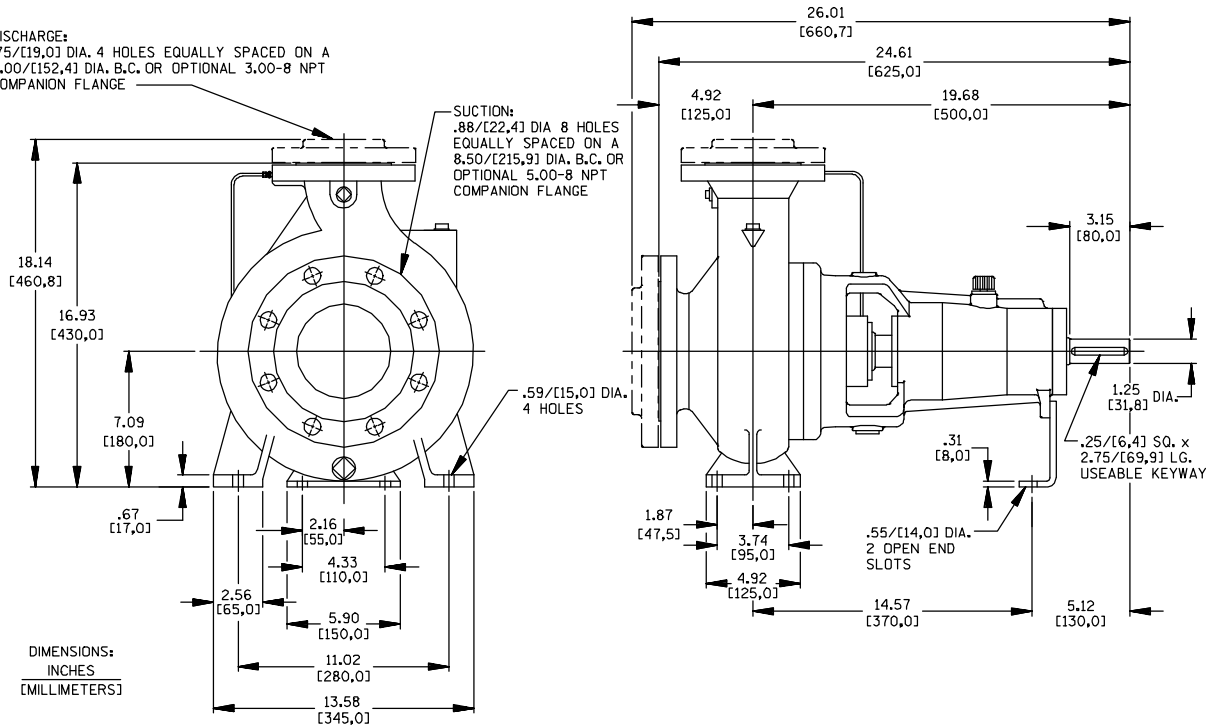
SECTION 70, PAGE 491

APPROXIMATE
DIMENSIONS and WEIGHTS

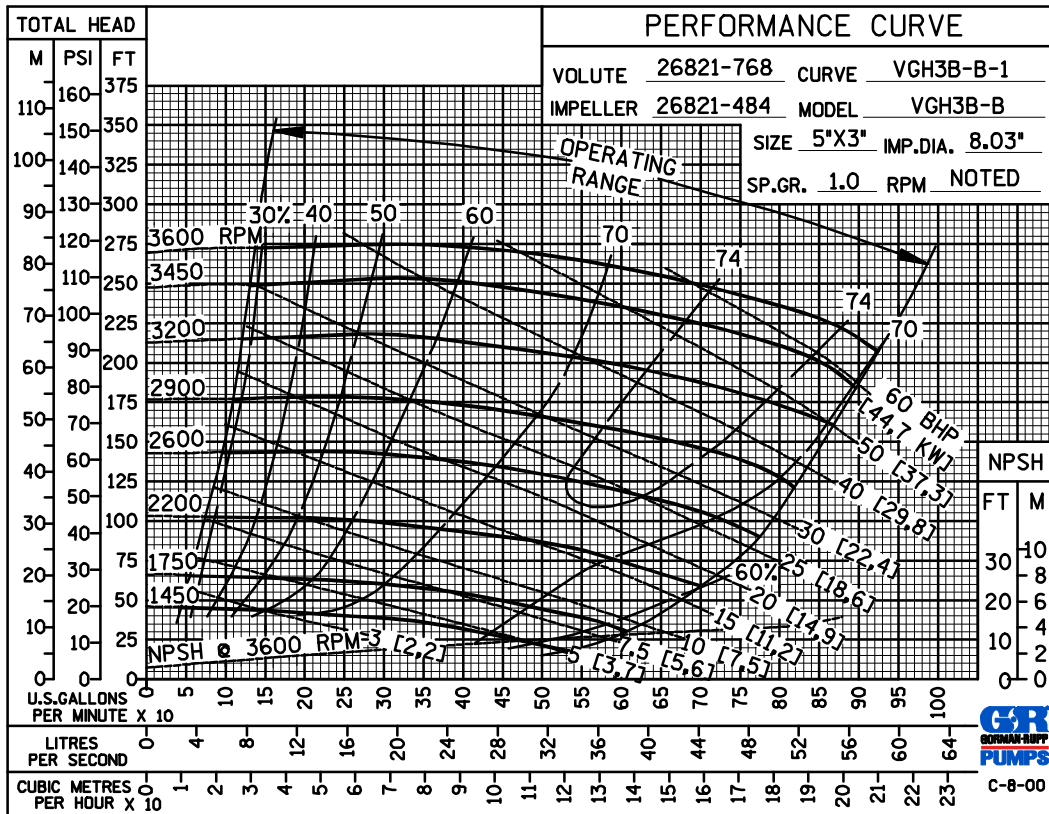
NET WEIGHT: 188 LBS. (85 KG.)
SHIPPING WEIGHT: 198 LBS. (90 KG.)
EXPORT CRATE: 8.5 CU. FT. (0,24 CU. M.)

DISCHARGE:
.75/[19,0] DIA. 4 HOLES EQUALLY SPACED ON A
6.00/[152,4] DIA. B.C. OR OPTIONAL 3.00-8 NPT
COMPANION FLANGE

SUCTION:
.88/[22,4] DIA 8 HOLES
EQUALLY SPACED ON A
8.50/[215,9] DIA. B.C. OR
OPTIONAL 5.00-8 NPT
COMPANION FLANGE



**PERFORMANCE
BASED ON
WATER**



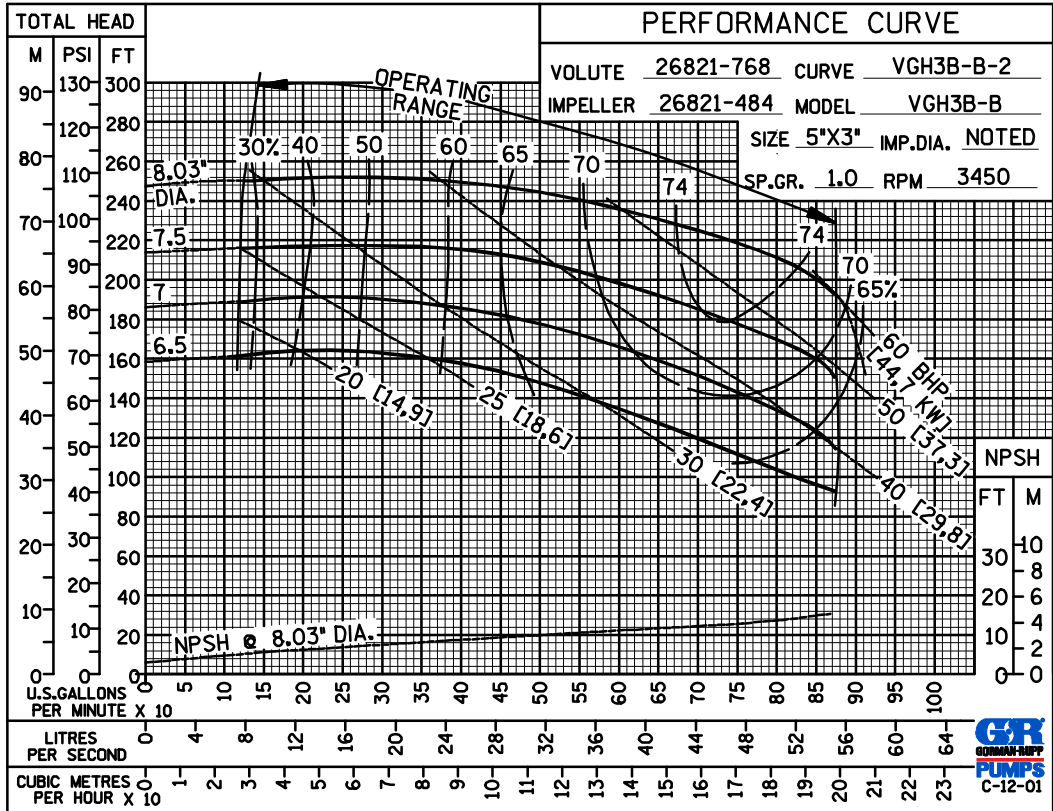
GORMAN-RUPP PUMPS

www.grpumps.com

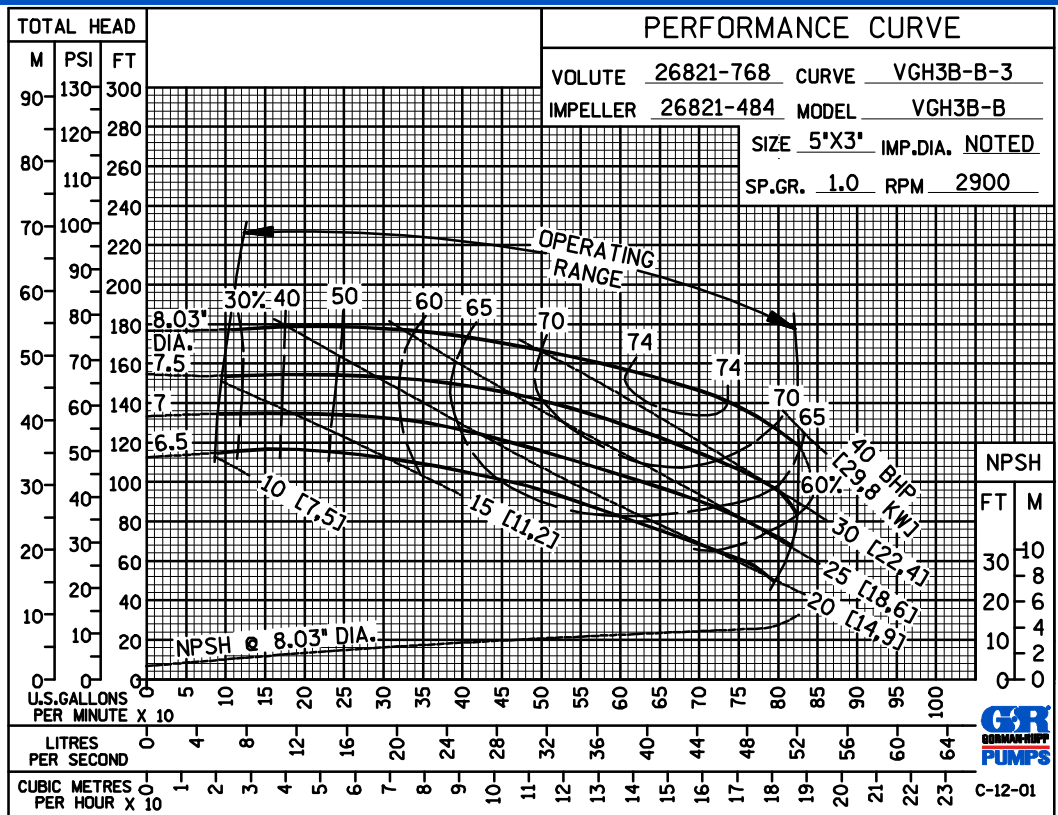
Specifications Subject to Change Without Notice

Printed in U.S.A.

PERFORMANCE
BASED ON
WATER



PERFORMANCE
BASED ON
WATER



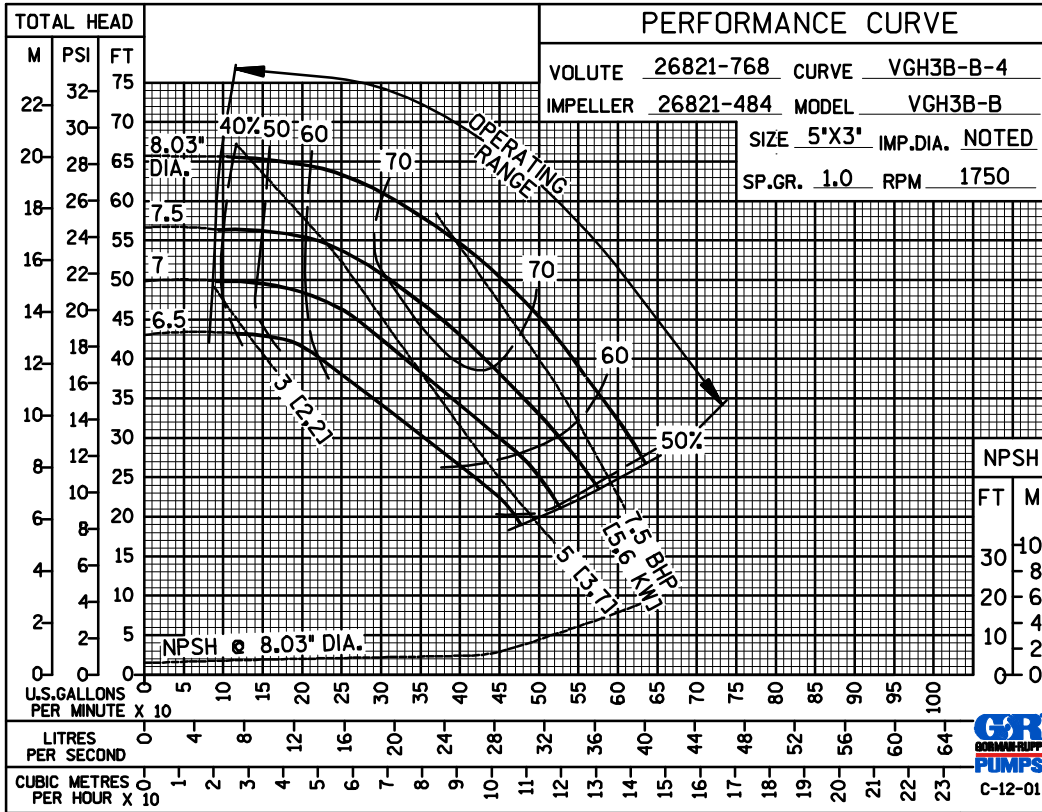
GORMAN-RUPP PUMPS

www.grpumps.com

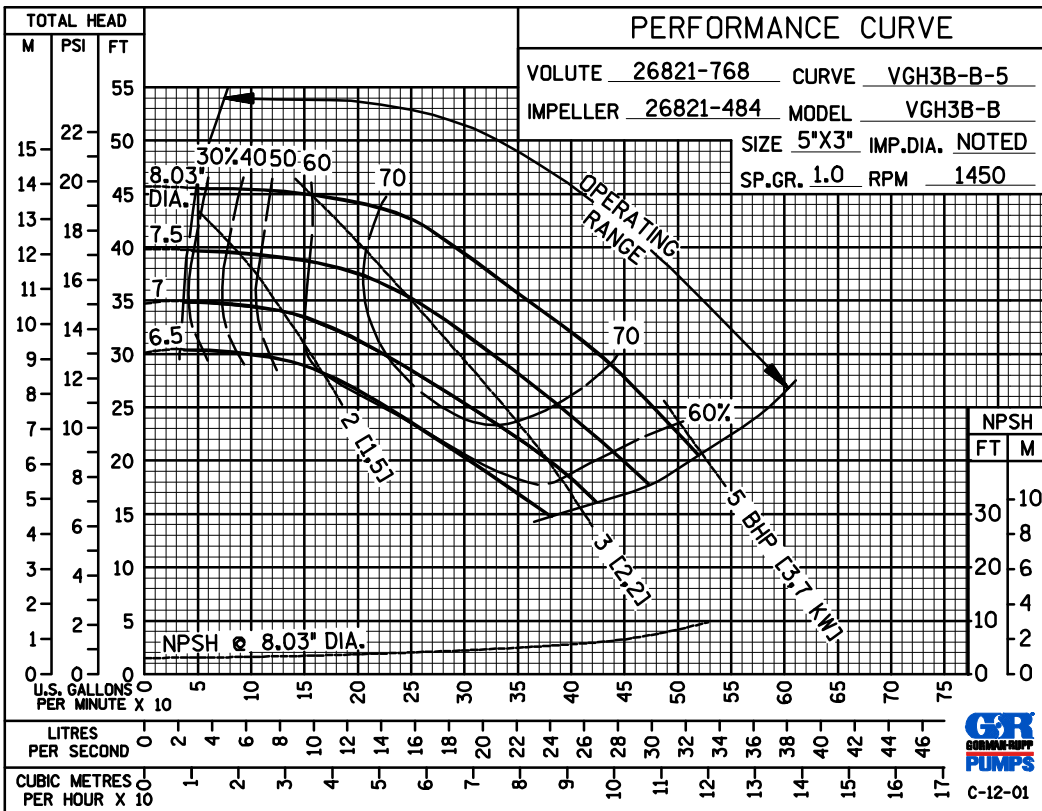
Specifications Subject to Change Without Notice

Printed in U.S.A.

PERFORMANCE
BASED ON
WATER



PERFORMANCE
BASED ON
WATER



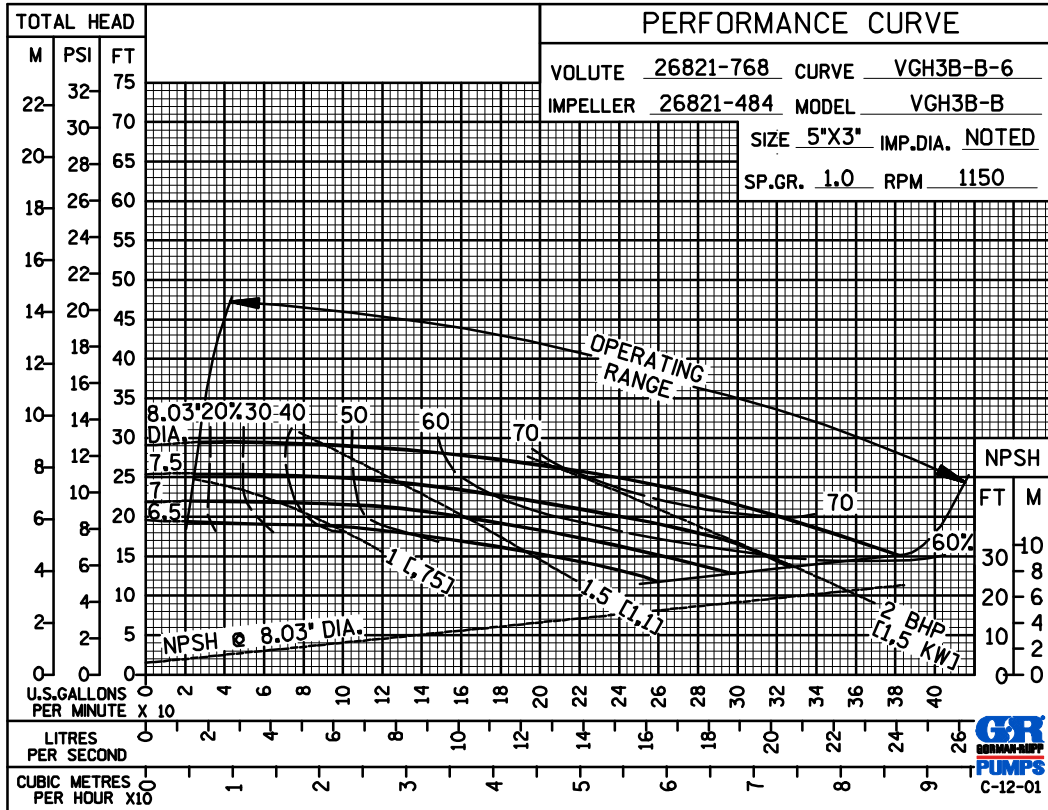
GORMAN-RUPP PUMPS

www.grpumps.com

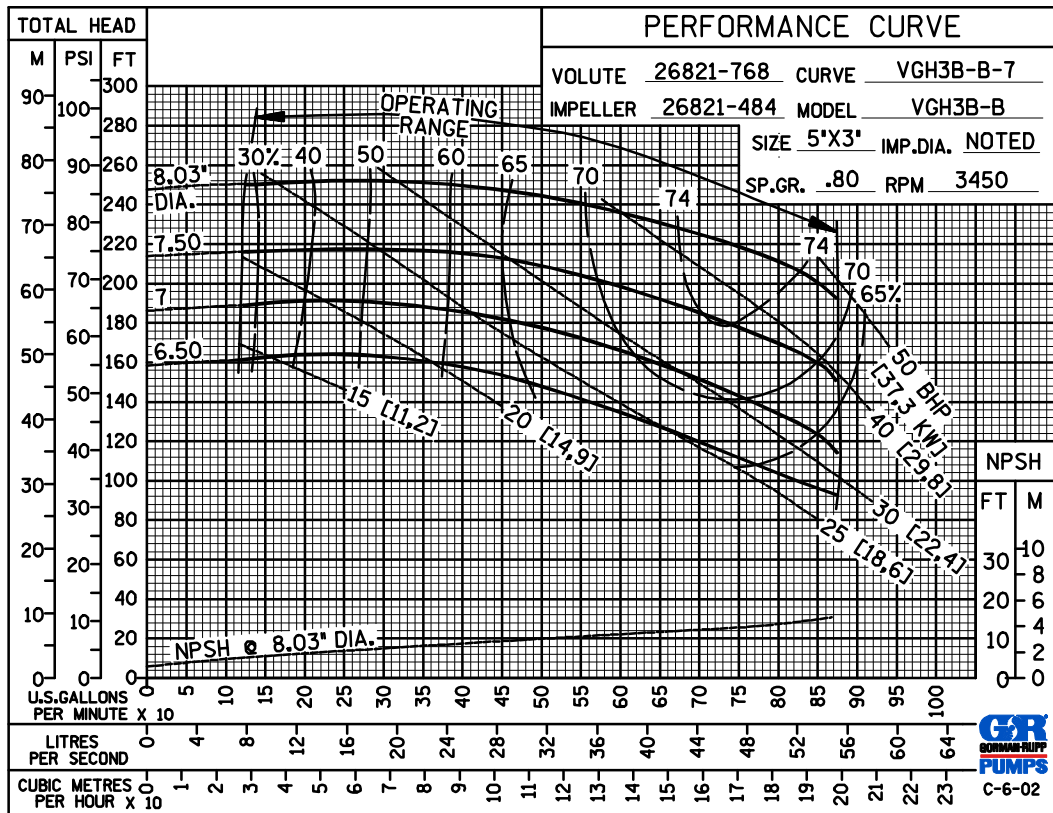
Specifications Subject to Change Without Notice

Printed in U.S.A.

PERFORMANCE
BASED ON
WATER



PERFORMANCE
BASED ON
PETROLEUM



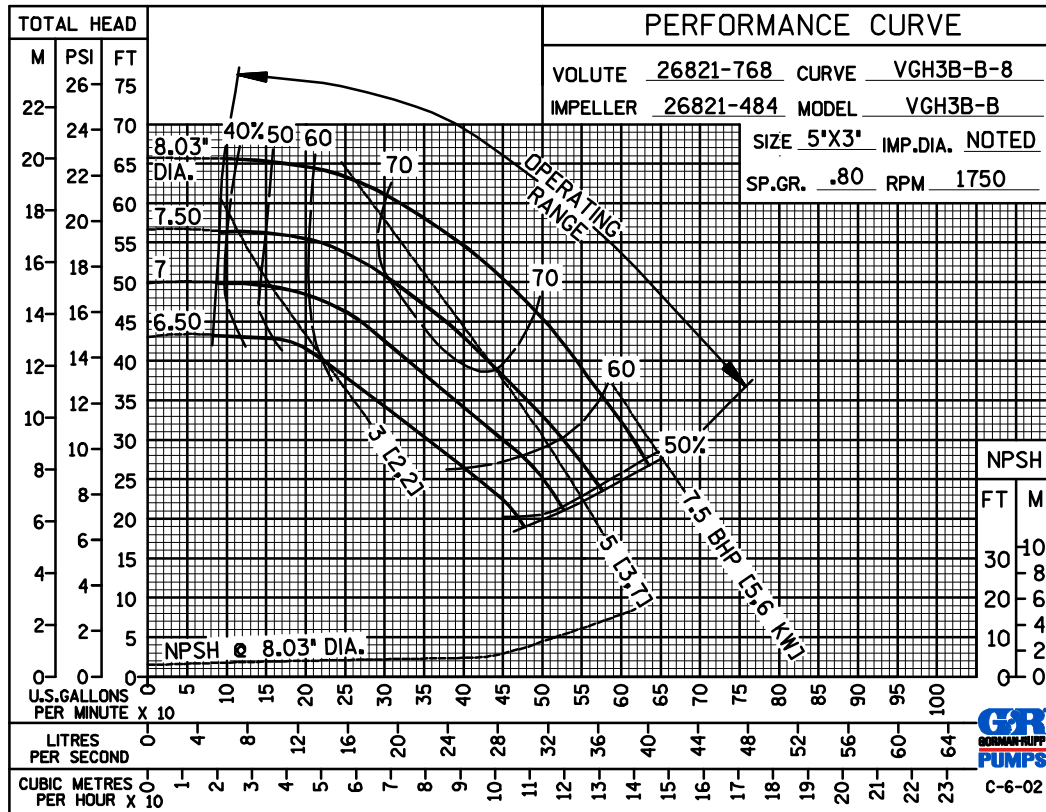
GORMAN-RUPP PUMPS

www.grpumps.com

Specifications Subject to Change Without Notice

Printed in U.S.A.

PERFORMANCE
BASED ON
PETROLEUM



GORMAN-RUPP PUMPS

www.grpumps.com

Specifications Subject to Change Without Notice

Printed in U.S.A.