



Standard Centrifugal Pump

Model VGH3C31-B

Size 5" x 3"

PUMP SPECIFICATIONS

Size: 5" x 3" (127 mm x 76 mm) Raised Face Flanges.

Casing: Ductile Iron.

Maximum Casing Pressure 306 psi (2110 kPa).*

Maximum Operating Pressure 250 psi (1723 kPa) at
Temperatures up to 100 F (37 C) Based on System
Component Limitations.*

Enclosed Type, Six Vane Impeller: Gray Iron 40.

Handles 35/64" (14 mm) Diameter Spherical Solids.

Impeller Shaft: Steel 1045.

Two Replaceable Wear Rings: Gray Iron 25.

Seal Plate: Ductile Iron.

Bypass Flush Piping.

Bearing Housing: Gray Iron 25.

Radial Bearing: Open Cylindrical Roller.

Thrust Bearing: Open Double Row Ball.

Bearing Lubrication: SAE 30 Non-Detergent Oil.

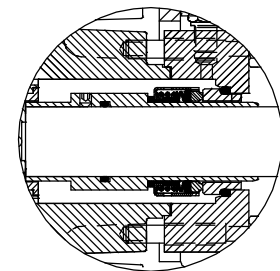
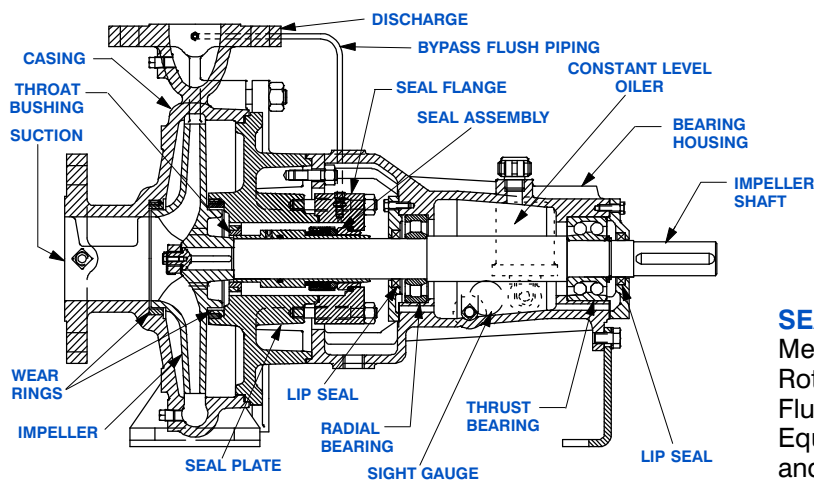
Gaskets: Nitrile Rubber.

Hardware: Standard Plated Steel.

Bearing Housing Level Oiler.

Optional Equipment: Strainer. NPT Suction and Discharge
Flanges. Consult Factory for Optional Seals.

**Consult Factory for Applications Exceeding
Maximum Pressure and/or Temperature Indicated.*



SEAL DETAIL

Mechanical, Self-Lubricated. Silicon Carbide Rotating and Stationary Faces. Fluorocarbon Elastomers (DuPont Viton® or Equivalent). Stainless Steel 316 Shaft Sleeve and Spring. Maximum Temperature of Liquid Pumped, 160°F (71°C).*



GORMAN-RUPP PUMPS

www.grpumps.com

Specifications Subject to Change Without Notice

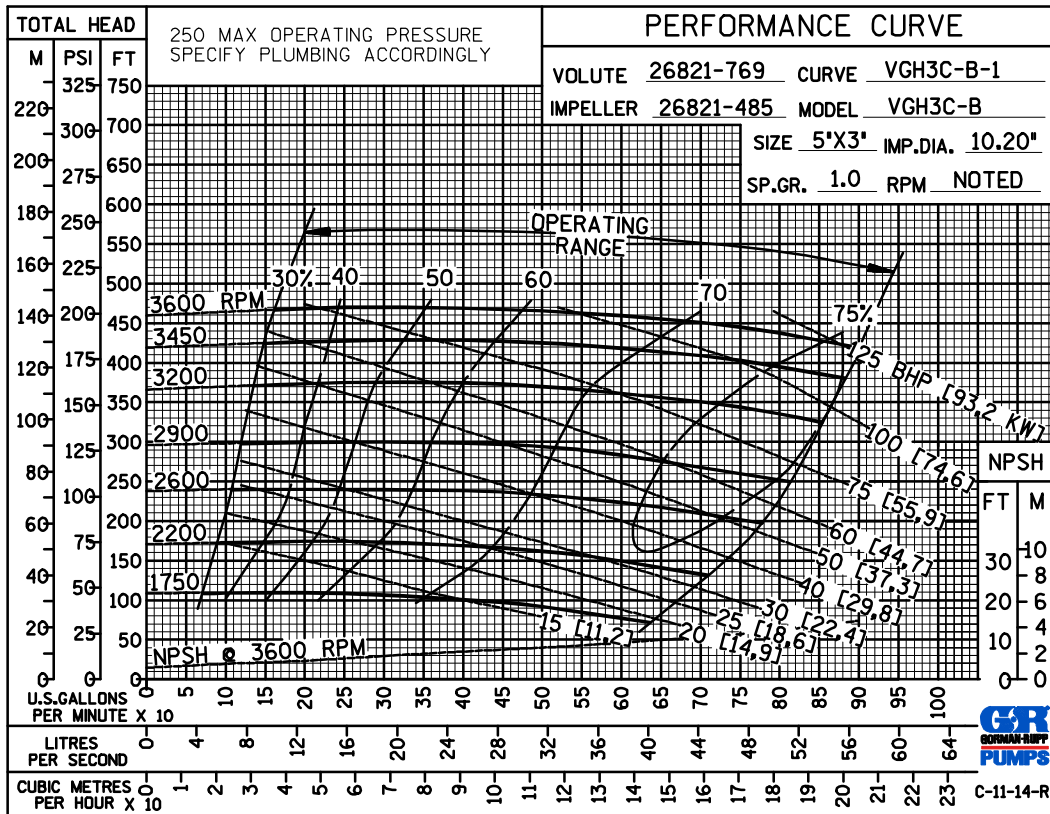
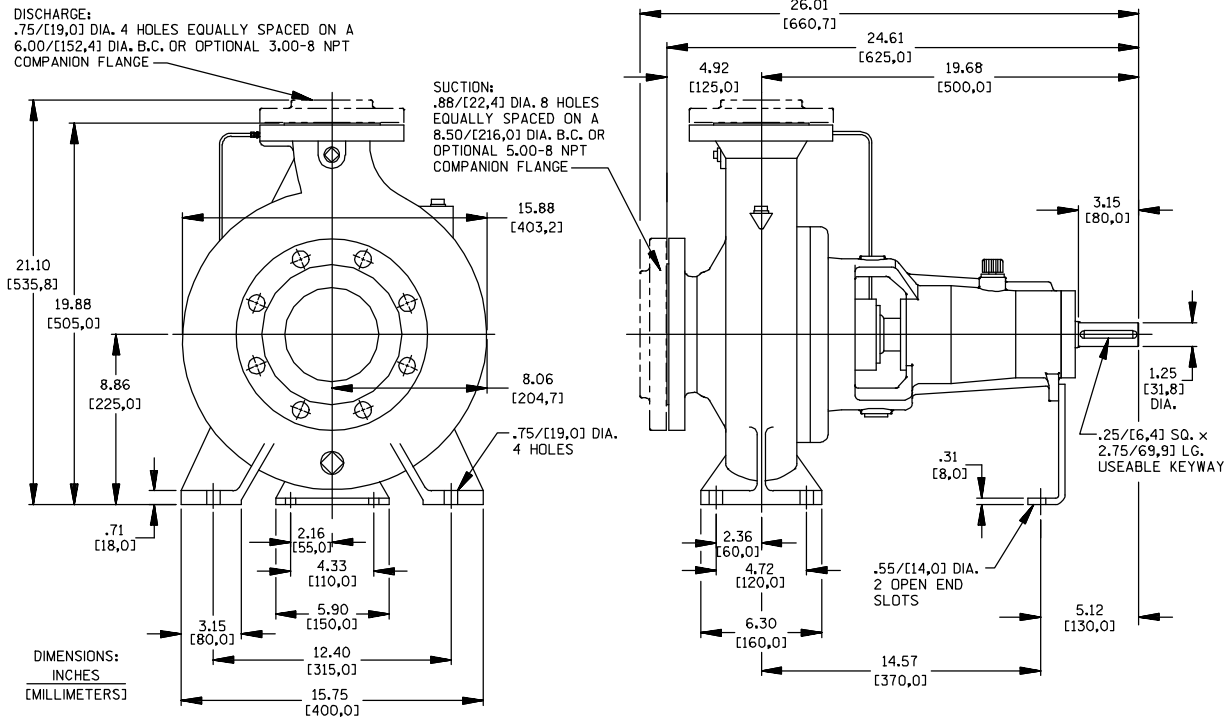
Printed in U.S.A.

Specification Data

SECTION 70, PAGE 495

APPROXIMATE DIMENSIONS and WEIGHTS

NET WEIGHT: 219 LBS. (99 KG.)
SHIPPING WEIGHT: 229 LBS. (104 KG.)
EXPORT CRATE SIZE: 13.2 CU. FT. (0,4 CU. M.)



**60 HERTZ PERFORMANCE
 BASED ON
 WATER**



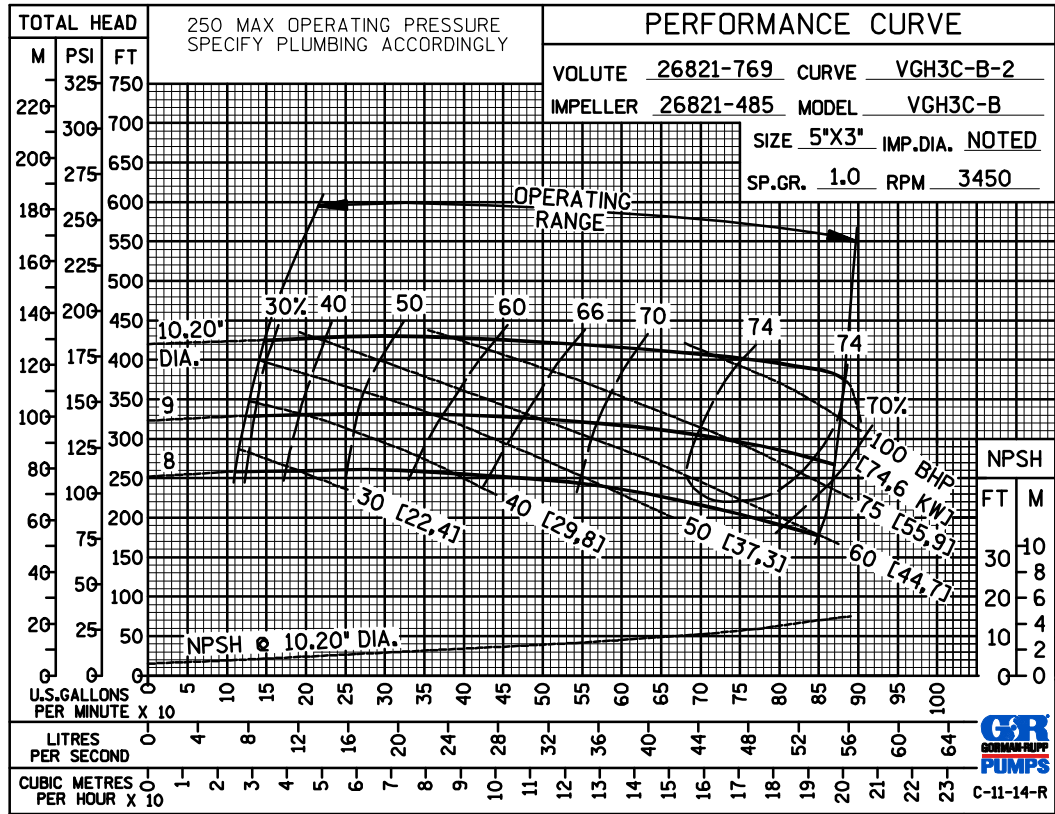
GORMAN-RUPP PUMPS

www.grpumps.com

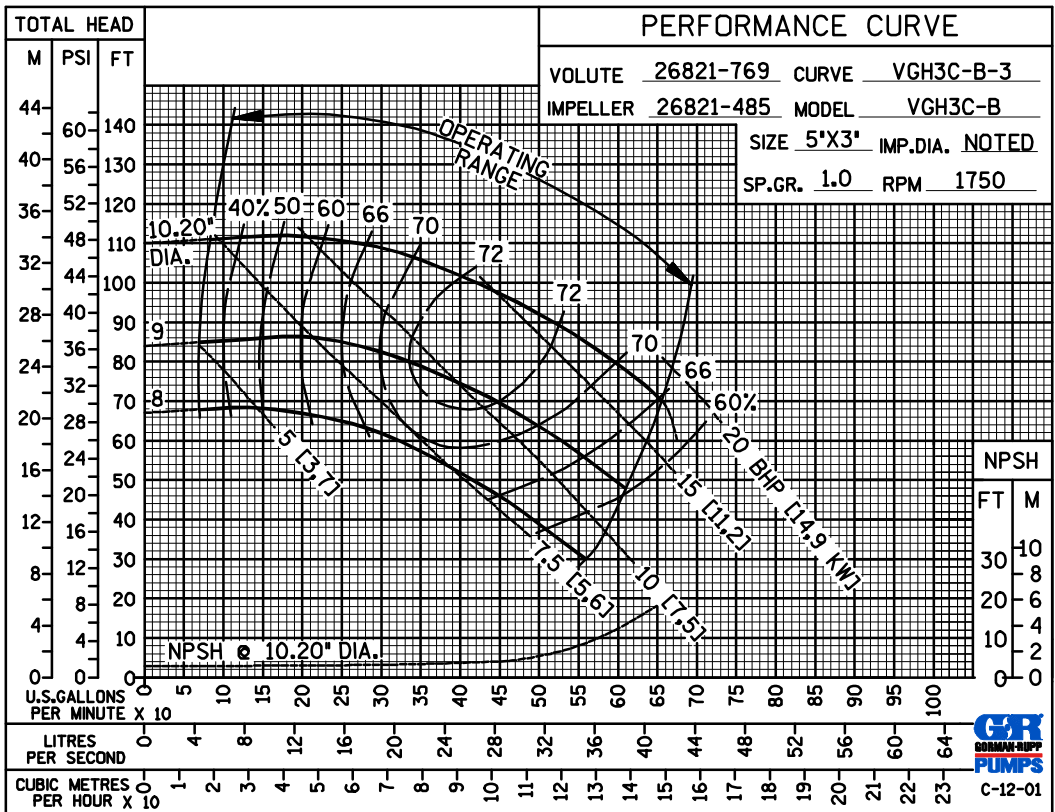
Specifications Subject to Change Without Notice

Printed in U.S.A.

60 HERTZ
PERFORMANCE
BASED ON
WATER
TRIMMED
IMPELLER



60 HERTZ
PERFORMANCE
BASED ON
WATER
TRIMMED
IMPELLER



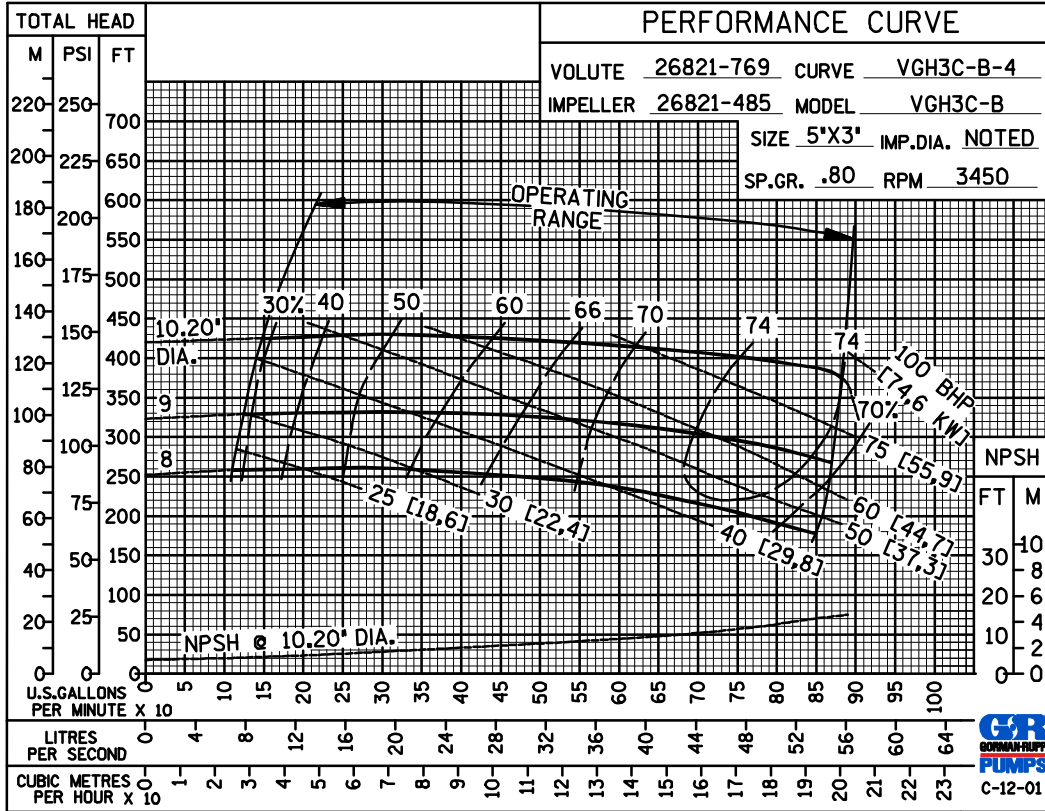
GORMAN-RUPP PUMPS

www.grpumps.com

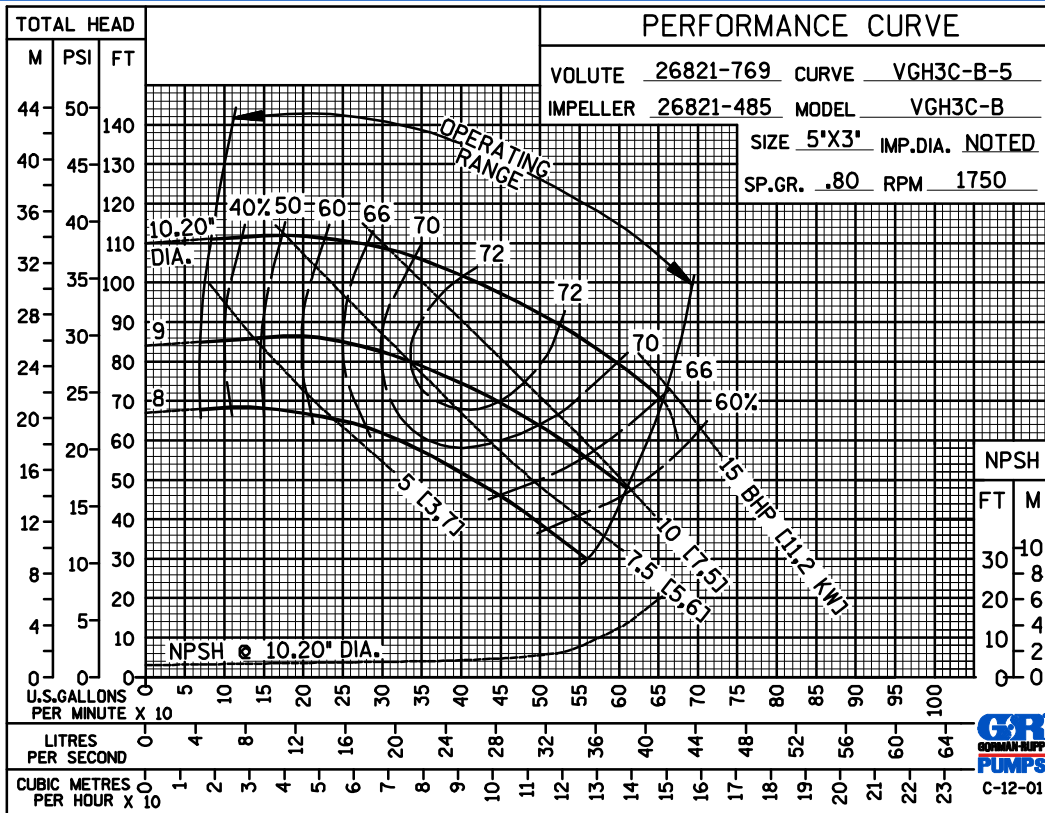
Specifications Subject to Change Without Notice

Printed in U.S.A.

60 HERTZ
PERFORMANCE
BASED ON
PETROLEUM
TRIMMED
IMPELLER



60 HERTZ
PERFORMANCE
BASED ON
PETROLEUM
TRIMMED
IMPELLER



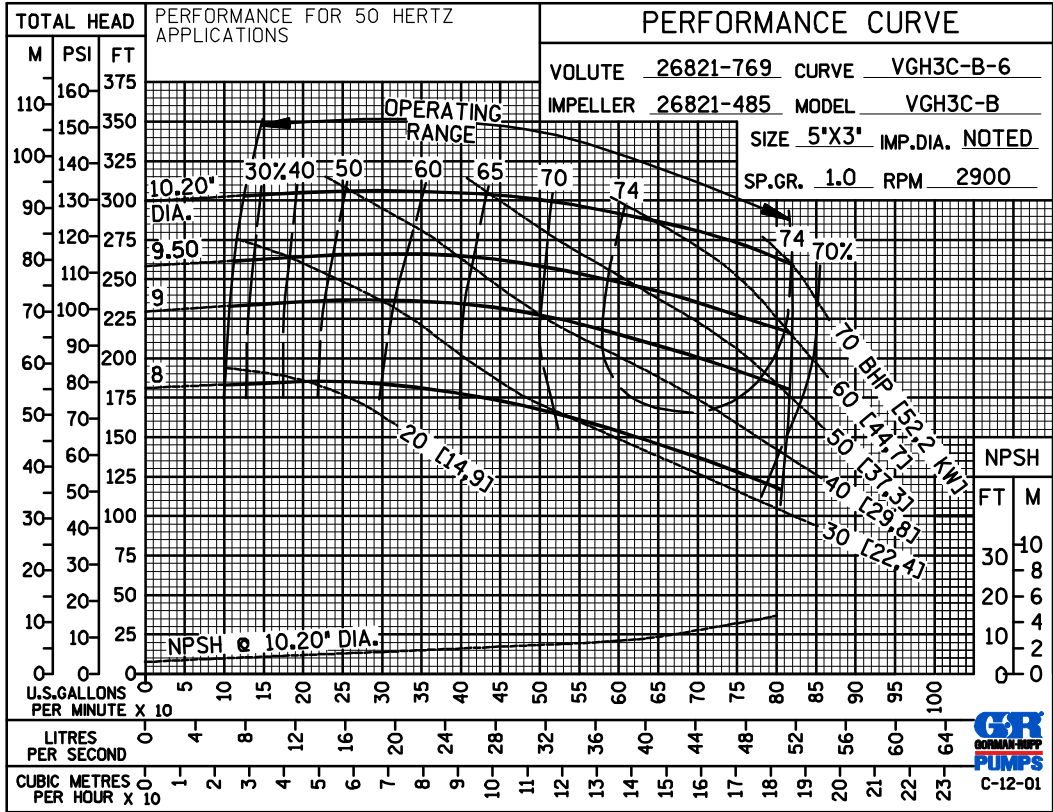
GORMAN-RUPP PUMPS

www.grpumps.com

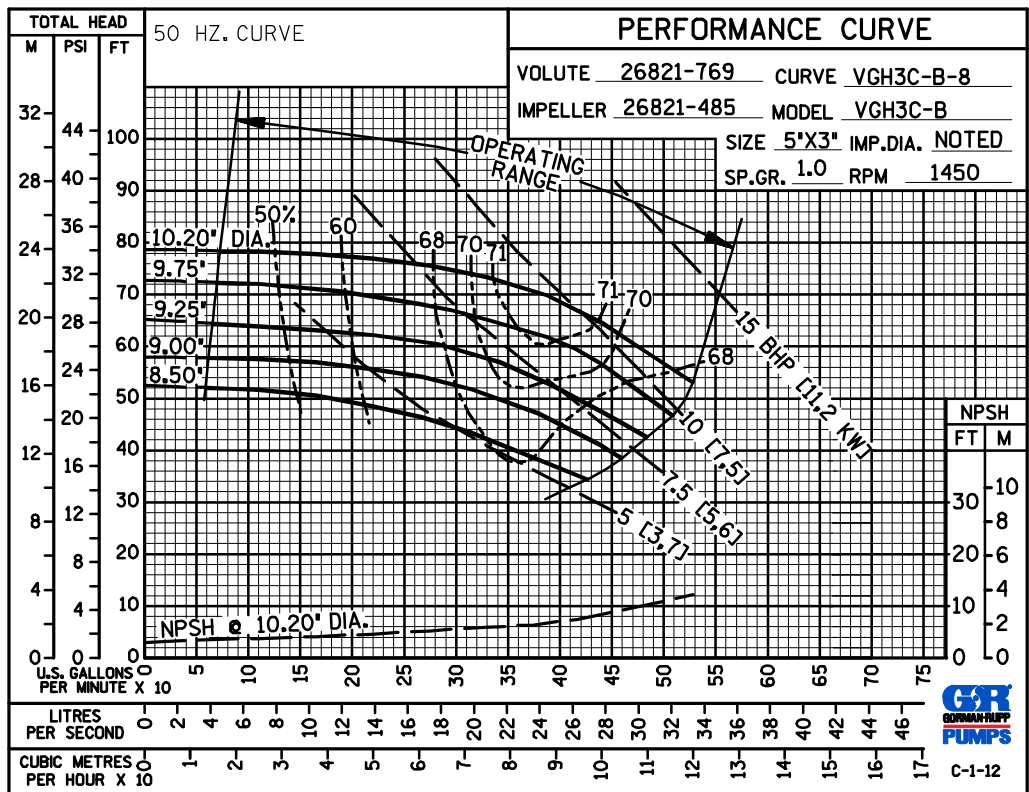
Specifications Subject to Change Without Notice

Printed in U.S.A.

50 HERTZ
PERFORMANCE
BASED ON
WATER
TRIMMED
IMPELLER



50 HERTZ
PERFORMANCE
BASED ON
WATER
TRIMMED
IMPELLER



GORMAN-RUPP PUMPS

www.grpumps.com

Specifications Subject to Change Without Notice

Printed in U.S.A.

