



Electric Motor Driven Stainless Steel Fitted Submersible Pump

Model S4C18-E10

Size 4"



PUMP SPECIFICATIONS

Diffuser: Stainless Steel CD4MCu;

Maximum Operating Pressure 69 psi (476 kPa).*

Impeller: Stainless Steel CD4MCu.

Wear Plate: Stainless Steel CD4MCu.

Seal Plate: Stainless Steel CD4MCu.

Intermediate: Aluminum Alloy 356-T6.

Casing: Aluminum Alloy 6061-T6 with Chromicoat.

Motor Housing: Aluminum Alloy 356-T6.

Motor Shaft: Stainless Steel 416.

Shaft Sleeve: Stainless Steel 304.

Bearings: Upper - Open Single Row Ball Bearing.

Lower - Two Synthetic Seals, Double Row Ball Bearing.

Discharge Flange: Aluminum Alloy 356-T6.

Gaskets: Cork with Nitrile Binder (NC710).

O-Rings: Buna-N.

Wetted Hardware: Stainless Steel.

Strainer: Urethane Coated Steel; 50.6% Open Area,

0.375" (9.5 mm) Diameter Openings.

Hoisting Bail: Urethane Coated Steel.

Standard Equipment

NEMA Type 3R Rainproof Control Box. (See Section 130, Page 90.)

Provides On-Off, Circuit Breaker and Motor Overload Protection.

Optional Equipment

Liquid Level Control: (See Sec. 130, Page 150.)

a. Turtle Type Pressure Activated Level Switch.

b. Float Activated Level Switch.

Staging Adapter Kit.

MOTOR/CABLE SPECIFICATIONS

Motor: Oil Filled Enclosure; 10.0 H.P.; 3450 R.P.M.; Three Phase; 200/230/460/575Volt, 60 Hz, 39/34/17/13.6 Full Load AMPS, 12.2 kW (Max.)

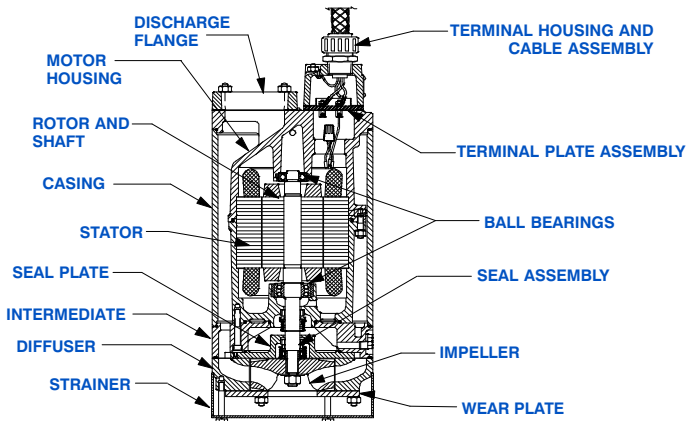
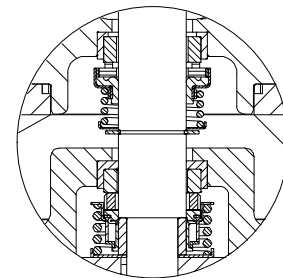
Power Cable:

200/230/460 Volt: 6 Wire; Type GGC; 8 AWG. 3 Power Conductors, 2 Ground Conductor and 1 Ground Check.

575 Volt: 4 Wire; Type SO/SOW/SOOW 10 AWG. 3 Conductor and 1 Ground. Nominal Length 50 Feet (15 m). Standard. (Specify Alternate Length at Time of Order.)

Recommended Generator Size: 15 kW Across the Line Start..

* Consult Factory for Applications Exceeding Maximum Pressure and/or Temperature Indicated.



SEAL DETAIL

Tandem, Oil Lubricated.

Upper Seal: Type 21, Mechanical. Carbon Rotating Face. Ceramic Stationary Face. Buna-N Elastomers. Stainless Steel 18-8 Cage and Spring.

Lower Seal: Type 2, Mechanical. Tungsten Titanium Carbide Rotating Face and Silicon Carbide Stationary Face. Fluorocarbon Elastomers (DuPont Viton® or Equivalent). Stainless Steel 303/304 Cage and Spring.

Maximum Temperature of Liquid Pumped, 122°F (50°C).*



GORMAN-RUPP PUMPS

www.grpumps.com

Specifications Subject to Change Without Notice

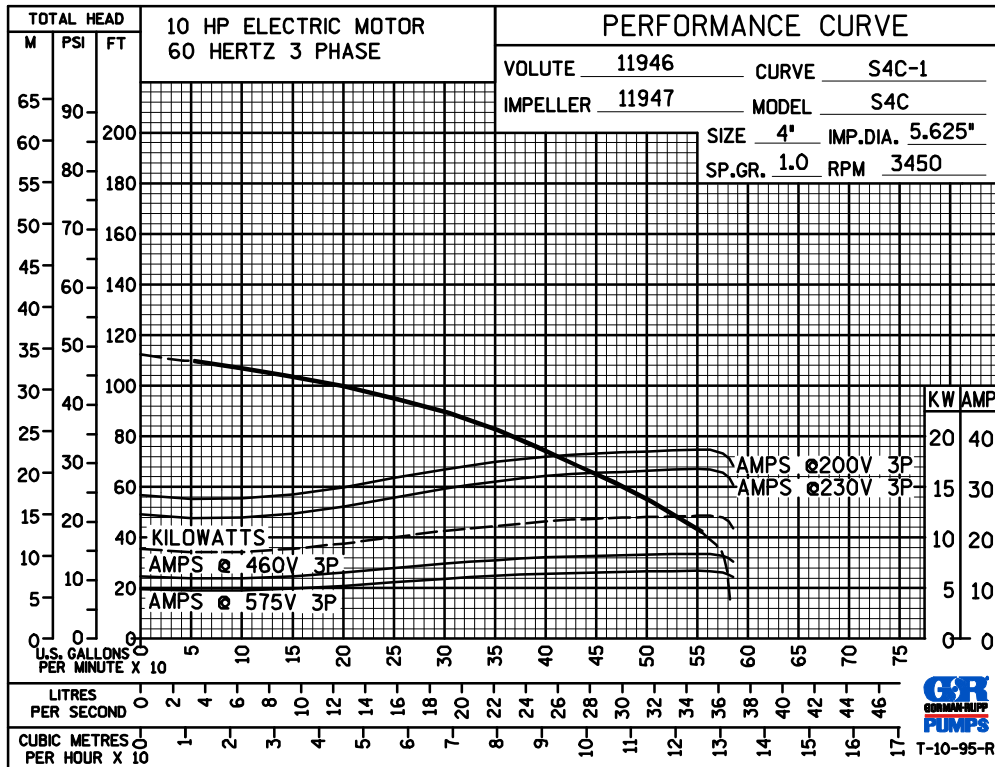
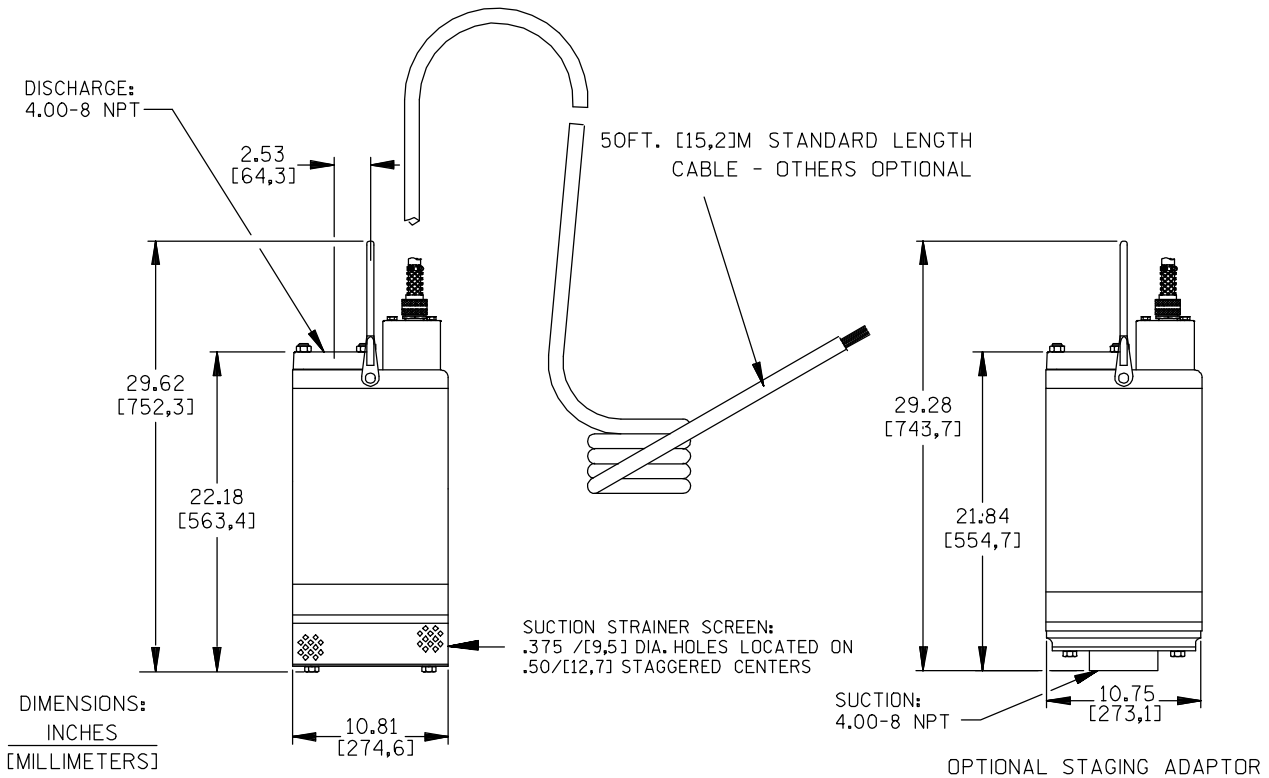
Printed in U.S.A.

Specification Data

APPROXIMATE
DIMENSIONS and WEIGHTS

NET WEIGHT: 254 LBS. (115 KG.)
SHIPPING WEIGHT: 269 LBS. (122 KG.)
EXPORT CRATE: 13.3 CU. FT. (0,38 CU. M.)

SECTION 130, PAGE 860



GORMAN-RUPP PUMPS

www.grpumps.com

Specifications Subject to Change Without Notice

Printed in U.S.A.